

K&F CA 1001

- 2-way full range system 10"/1"
- Rotatable 85° x 55° CD horn for precise coverage pattern
- Crossover with delay time and phase alignment for passive operations
- 124 dB max. SPL
- Optional operation with K&F SystemAmps



The model CA 1001 is the consequential completion of the successful CA Series. The compact full-range system is equipped with a 10" low-mid chassis, a 1" horn driver combination, and a passive crossover.

As compared to its compact dimensions, the CA 1001 system possesses astounding low-range qualities which can be increased with additional bass boost (EQ or optional K&F SystemAmps).

The CA 1001 is suitable for all kinds of programme material and offers exceedingly flexible usage possibilities, i.e. as a discreet P.A. system in combination with subwoofers, as centre and offset speakers, or as a compact stage monitor. With the consistent and very controlled coverage pattern of 85° x 55°, the CA 1001 is suitable for high-quality sound reinforcement for close and medium listening ranges.

The especially low-distortion 1" neodymium driver with a titanium diaphragm comes into operation starting at 1.4 kHz. This low-frequency coupling of the horn results in a homogenous omnidirectional coverage, high assertiveness, and a low propensity for feedback. Furthermore, the CA 1001 is also suitable to be combined in a cluster.

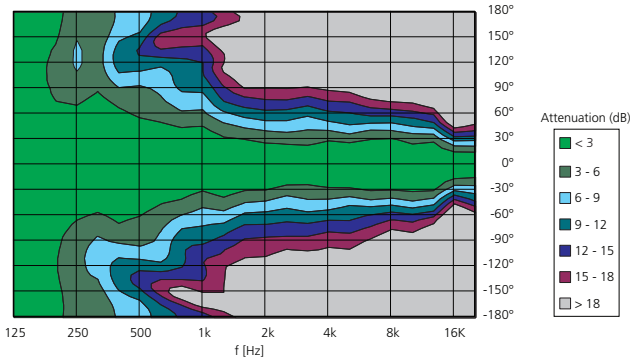
The complex design of the crossover enables the frequency and impedance characteristics to be linearised. For the CA 1001, delay time and phase alignment as well as all protective circuits are set up separately for the low and high frequency paths. With this, the CA 1001 has an untainted fine mid-range resolution and superb speech intelligibility. A multitude of fine details make the CA 1001 System an all-rounder with 'Plug & Play' qualities. The multifunctional enclosure has a discreetly integrated handle, a steep monitor angle of 54°, which is especially well-suited for small stages, thread inserts for multifaceted use on a stand, for horizontal or vertical 'flown' use, and for use in combination with tilt brackets and mounting brackets.

The CA 1001 is suitable for fixed installations as well as mobile uses. A sensible range of accessories, options for 100 V and outside uses, are available.

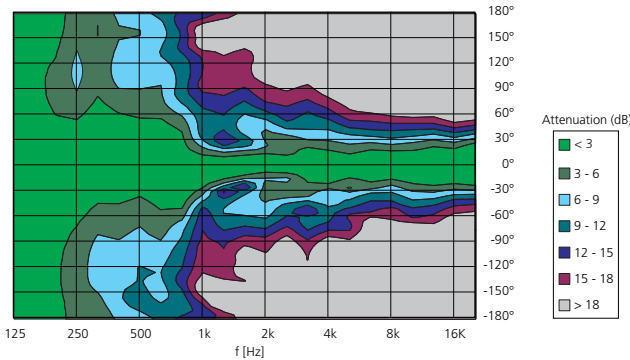
K&F CA 1001	
Design	Passive 2-way bass reflex system
Operation with	K&F PLM+ Series, K&F D Series, K&F IPX 2400, Lab.gruppen IPD 2400 ¹ , K&F SystemRack ¹ , passive with linear amplifiers
Frequency response -10 dB	53 Hz – 20 kHz
Frequency response ±3 dB	82 Hz – 19 kHz
Coverage angles nominal	85° x 55° (hor. x vert.), CD horn rotatable
Power handling nominal	250 watts
Power handling program	500 watts
Power handling peak	1.000 watts
Max. SPL	124 dB (SPL peak/1 m)
Impedance nominal	6 Ω
Loudspeaker per channel	See matrix
Components	1" high frequency driver with 45 mm Titanium diaphragm on rotatable CD-horn 10" low-mid chassis 2-way crossover with delay time and phase alignment, self-resetting protection circuit for low and high frequency path
Connectors	2 x speakON® 4-pol NLT4MP (+1/-1) IN parallel to OUT
Enclosure	15 mm multiplex with highly resistant structured paint (PU) in RAL 9005 (black) or RAL 9010 (white), 54° monitor angle, 1 ergonomic handle, 2 x M6 und 8 x M8 thread inserts, ball-proof steel grill with exchangeable black or grey (white) acoustic foam
Dimensions (W x H x D)	313 x 520 x 307 mm
Weight	18.3 kg
Colour	RAL 9005 (black) RAL 9010 (white) RAL special colour
Options	'AS' axial symmetrical version '100 V' with 300 VA toroidal transformer (20.9 kg) 'Barrier strip' instead of 'speakON®' connectors 'Outdoor Mobile' 'Outdoor Installation'
Accessories	See catalogue or www.kling-freitag.com

¹ Discontinued

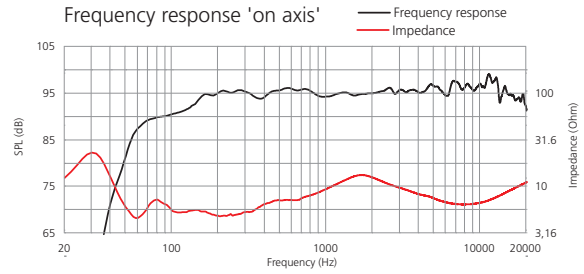
Horizontal coverage pattern



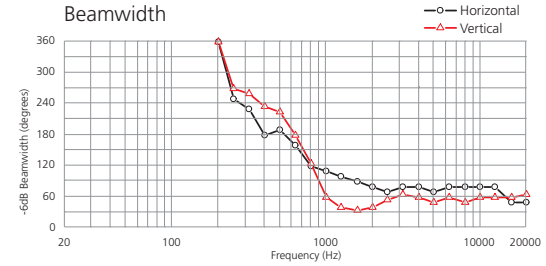
Vertical coverage pattern



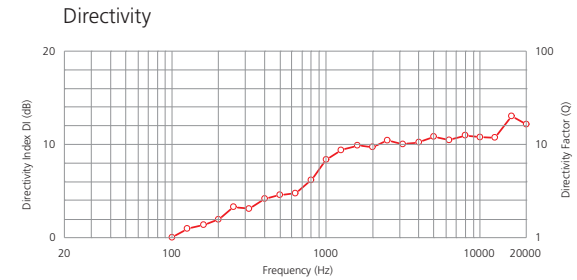
Frequency response 'on axis'



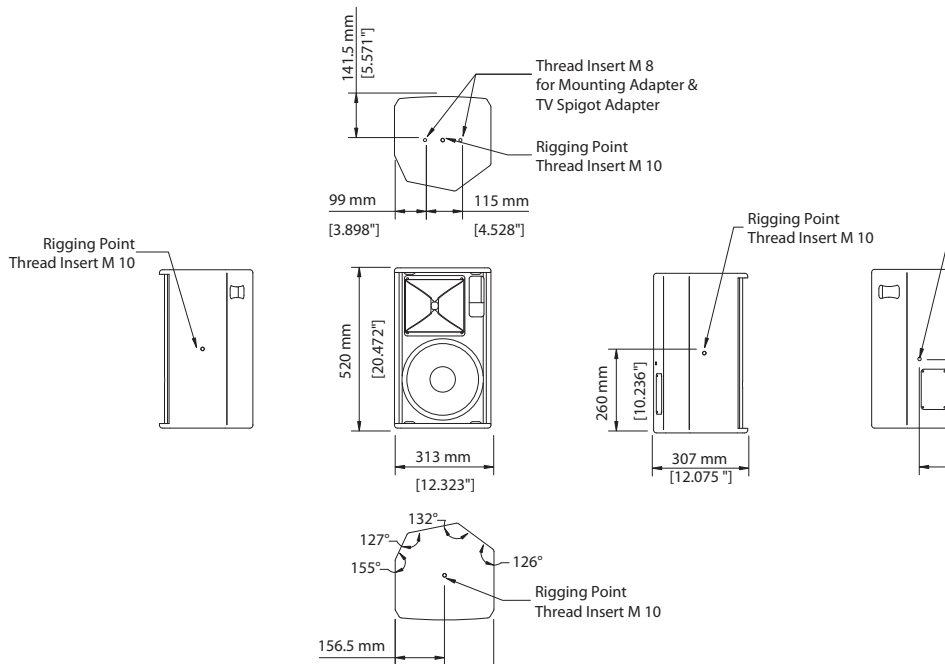
Beamwidth



Directivity



All measurements under free field conditions. Frequency patterns 1/6 octave averaged. Coverage and polar pattern 1/3 octave averaged. The manufacturer reserves the right to make product alterations to improve product quality without prior notice. Errors excepted.



Further information and data like specifications, manuals, technical drawings as DWG, DXF and PDF files as well as data files for acoustic simulations with Ease and Ulysses are available on our web site www.kling-freitag.de

KLING & FREITAG GmbH
Wohlenbergstr. 5
D-30179 Hannover
Tel. +49 (0)511 96 99 7-0
Fax +49 (0)511 96 99 7-97