



- 2-way full-range system with integrated driver and power amplifier technology
- 12" low-mid chassis / 1" high-frequency driver on a rotatable 90° x 60° CD horn
- Max. SPL 126 dB (peak/1m)

The CA 1201 - SP is intended as an active plug-and-play full-range system for high-quality sound reinforcement in near field to medium listening distances. Powerful bass reproduction and a broad, homogenous high-mid radiation are the hallmarks of the CA 1201.

Whether in mobile P.A. systems or installed in theatres, opera houses, discos, live clubs, all-purpose halls or TV and radio studios, the CA 1201 - SP is suitable without exception for all situations.

For applications requiring more bass response the CA 1201 - SP with its internal phase alignment can be easily combined with all K&F SP series subwoofers.

The system electronics contain the completely noiseless convection-cooled and highly efficient digital 1 kW Class D power amplifier and take care of the specific basic equalization. Optimum operating safety is provided by the limiter section with its RMS limiter in feed-forward configuration, followed by the peak limiter in feed-back design. Thus equipped one can do without the addition of a controller.

The compact enclosure with 5 flying points, carrying handles and stand adapter make for a quick and secure set-up.

With its outstanding value for money the CA 1201 - SP represents the professional entry into the top class of self-powered speaker systems.

Loudspeaker

Design	2-way full-range system with integrated driver and power amplifier technology, bass reflex tuning
Frequency range -10 dB	54 Hz - 19 kHz ('FILTERS OFF')
Frequency range ±3 dB	65 Hz - 18 kHz ('FILTERS ON' and 'FILTERS OFF')
Coverage angles nominal	90° x 60° (hor. x vert.) / horn rotatable
Directivity index (DI)	10 (+1.5/-1) 1.2 kHz - 16 kHz
Max. SPL	126 dB (SPL Peak/1 m)
Components	12" low-mid chassis 1" high frequency horn with 40 mm mylar diaphragm on rotatable 90° x 60° CD horn
Crossover	Passive, 1.8 kHz 18 dB/octave, self-resetting protection circuits for 12" and 1" chassis

Input Module

Input connectors	Pin 1 = Masse / Pin 2 = + Signal / Pin 3 = - Signal LINE IN: XLR 3 pin female LINE OUT: XLR 3 pin male, parallel with LINE IN
Input sensitivity	+6 dB / 1.55 Vrms for zero attenuation
Input impedance	50 kΩ (balanced / unbalanced)
Common mode rejection	Min.: 74 dB, typical: 90 dB
Controls	Level control ±6 dB, bypass switch for the active filters (e.g. for operations with K&F C2 controller), ground lift switch
Display	Bi-coloured LED: green = power on, red = limit / protect
Driver circuit	High pass 45 Hz (-3 dB), 24 dB / octave, Phase correction, frequency deemphasis (EQ), peak limiter, RMS limiter

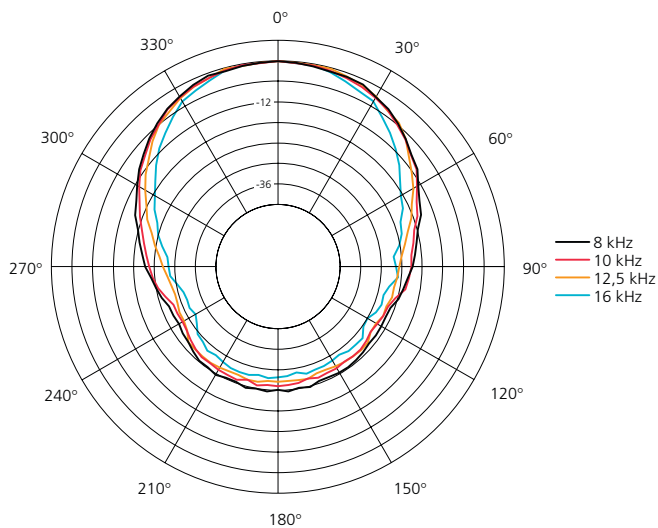
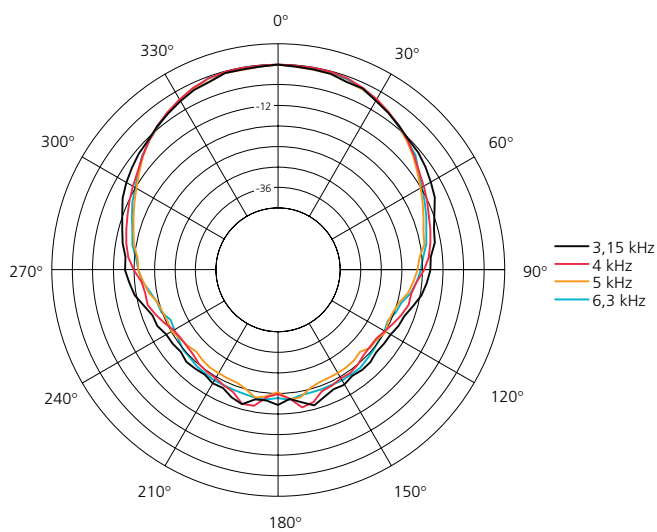
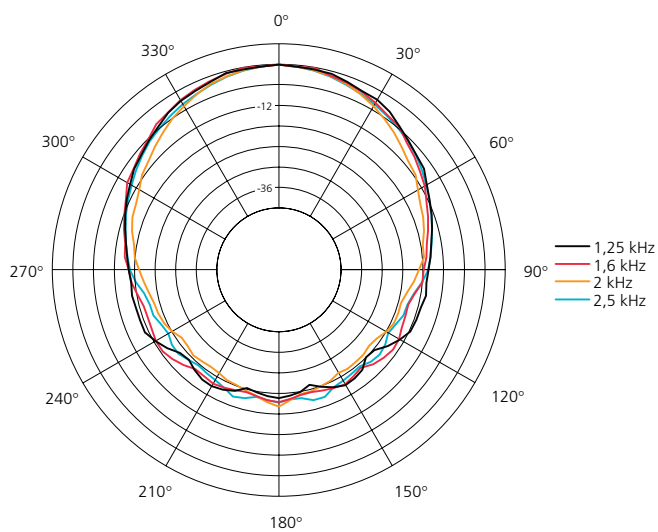
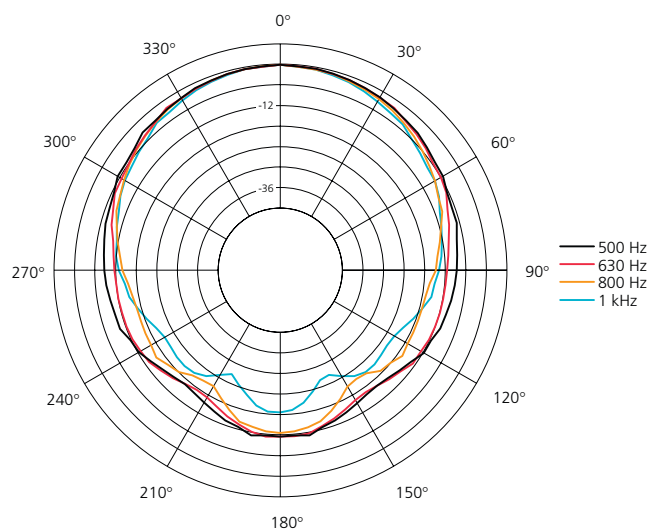
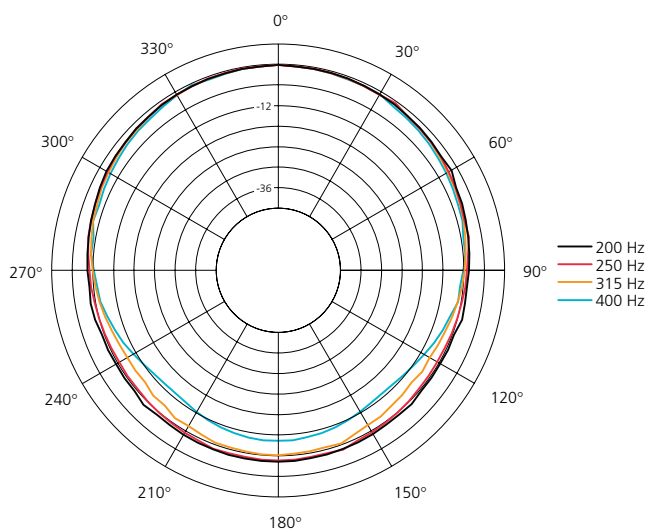
Amplifier Module

Type	Class D
Power	1000 W @ 8 Ω (EIAJ / 1 kHz, 1% THD)
Power bandwidth	10 Hz to 30 kHz
Damping factor	> 500 (100 Hz), > 100 (10 kHz)
S / N ratio	> 105 dB (A)
Cooling	Air convection (without fan)
Protection circuits	Short circuit, over-temperature, clipping, overload
Supply voltage	AC 195-250 V, 50 / 60 Hz (230 V version)
alternative	AC 95-125 V, 50 / 60 Hz (115 V version)
Power consumption	1 A nominal / 4 A max. (230 V version) 2 A nominal / 6.3 A max. (115 V version)
Power connectors	Neutrik PowerCon, lockable, one input and one output

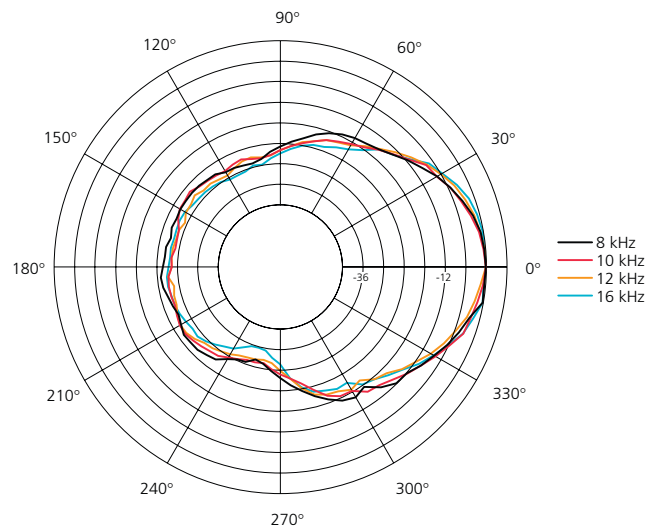
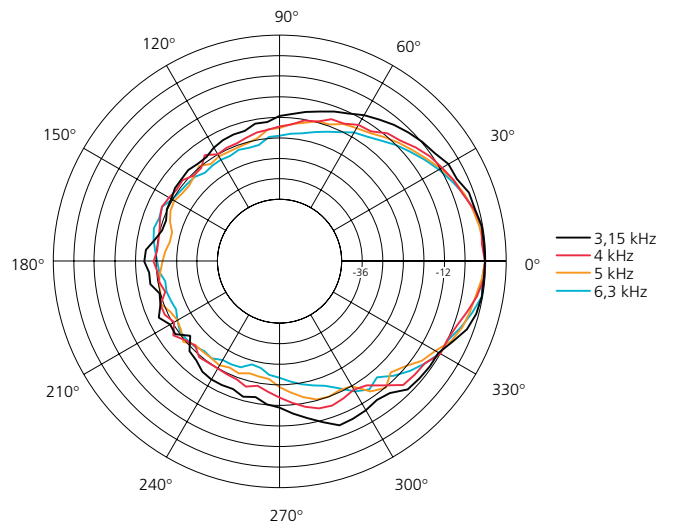
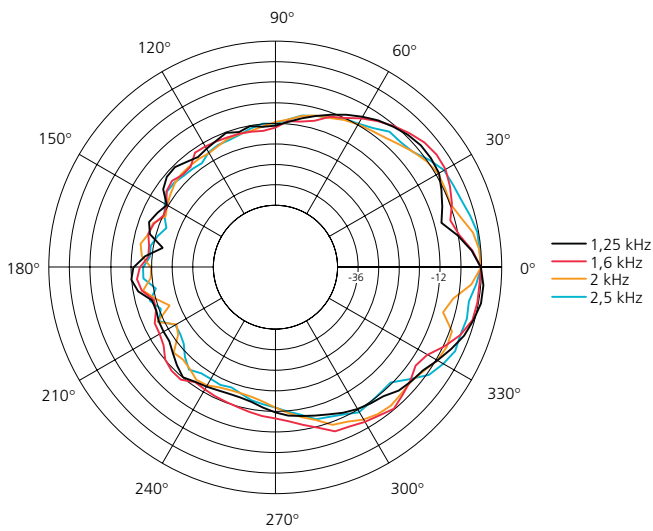
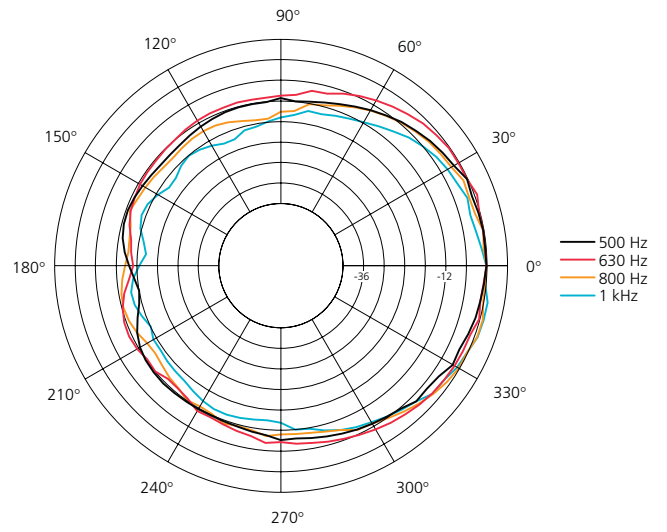
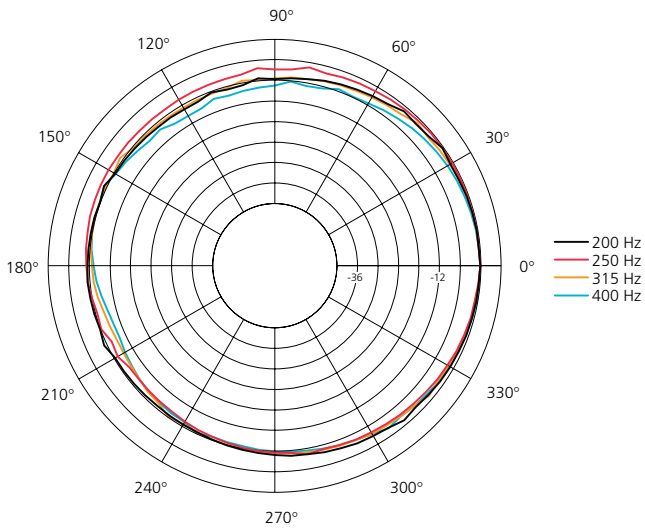
Enclosure

	Trapezoidal with additional cluster angles, 15 mm birch plywood, highly resistable grey or black structured paint, 2 butterfly handles, mounting flange K&M 19656, ball proof front grille with exchangeable, black acoustic foam
Rigging	5 flying points Ancra Jungfalk
Dimensions	380 x 605 x 375 mm (W x H x D)
Weight	27.5 kg
Options	Rigging and mounting hardware, special finish in RAL colours

Horizontal polar pattern

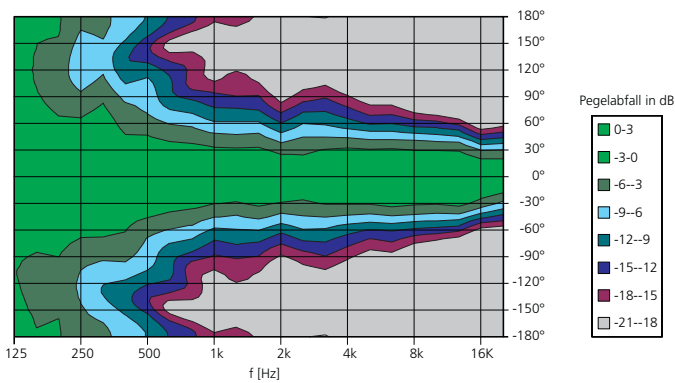


Vertical polar pattern

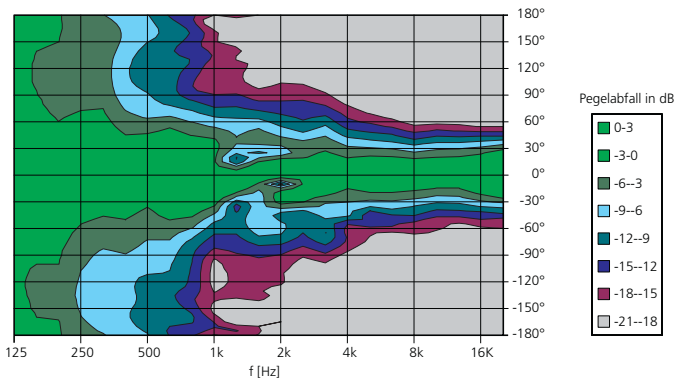


CA 1201 - SP

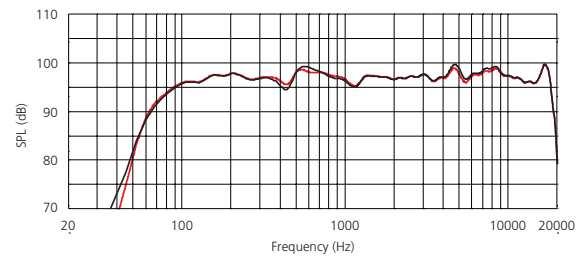
Horizontal radiation pattern



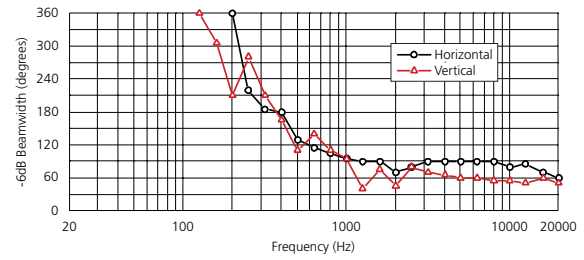
Vertical radiation pattern



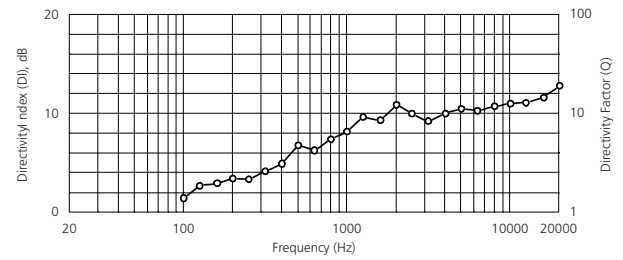
Frequency response 'on axis'



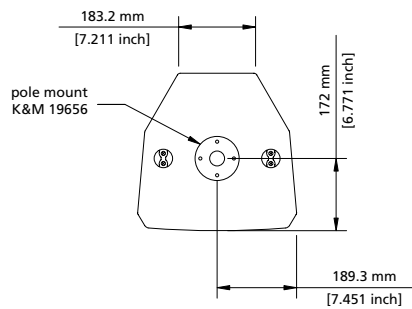
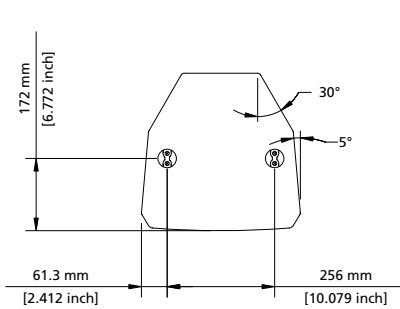
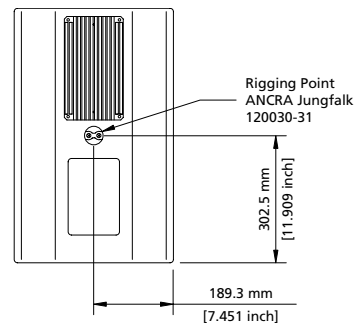
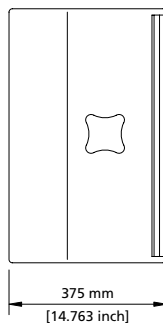
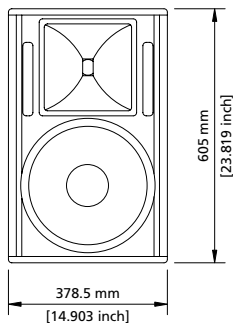
Beamwidth vs. frequency



Q-Index



All measurements under free field conditions. Frequency diagrams 1/6 octave averaged, radiation and polar pattern 1/3 octave averaged. The manufacturer reserves the right to make product alterations to improve product quality without prior notice. Errors excepted.



Further information and data like specifications, manuals, technical drawings as DWG, DXF and PDF files as well as data files for acoustic simulations with Ease and Ulysses are available on our web site www.kling-freitag.de

KLING & FREITAG GmbH
Junkersstrasse 14
D-30179 Hannover
Tel. +49 (0)511 96 99 7-0
Fax +49 (0)511 67 37 94

