

K&F CA 1215-9 – SP



- 2-way full-range system with integrated driver and power amplifier technology
- 12" low-mid chassis
- 1.5" high-frequency driver on a rotatable 90° x 50° CD horn
- 129 dB max. SPL

The CA 1215-9 - SP is an active plug-and-play full-range system for high-quality, assertive near field and medium-range sound reinforcement.

Even in situations where relatively little equipment is in use, the CA 1215-9 - SP, with its precise radiation characteristics, achieves a broad and extremely homogeneous acoustic coverage.

Natural reproduction of music and speech, even at high volume levels, characterize the CA 1215-9 - SP. High power capacity and flexibility are convincing irrespective of application, whether mobile or installed in theatres, opera houses, discos, live clubs, all-purpose halls, TV and radio studios, etc.

For applications requiring more bass response the CA 1215-9 - SP with its internal phase alignment can be easily combined with all K&F SP series subwoofers.

The system electronics contain the completely noiseless convection-cooled and highly efficient digital 1 kW Class D power amplifier and take care of the specific basic equalization. Optimum operating safety is provided by the limiter section with its RMS limiter in feed-forward configuration, followed by the peak limiter in feed-back design. Thus equipped one can do without the addition of a controller.

The compact enclosure with 5 flying points, carrying handles and stand adapter make for a quick and secure set-up. The CA 1215-9 – SP is a highly effective tool among professional top-class self-powered speaker systems.

K&F CA 1215-9 – SP

Design	2-way full-range system with integrated driver and power amplifier technology, bass reflex tuning
Frequency response -10 dB	58 Hz – 22 kHz (FILTERS 'OFF')
Frequency response -10 dB	80 Hz – 19 kHz (FILTERS 'ON' and 'OFF')
Coverage angles nominal	90° x 50° (hor. x vert.), rotatable horn
Max. SPL	129 dB (SPL peak/1 m)
Components	1.5" high frequency driver with 45 mm titanium dome on CD horn 12" low-mid chassis
Connectors	LINE IN: XLR 3 pin female LINE OUT: XLR 3 pin male, parallel with LINE IN Pin 1=ground/Pin 2=+signal/Pin 3=-signal Neutrik PowerCon lockable, 1 input, 1 x output

Input Module

Input sensitivity	+6 dB/1.55 Vrms for rated output
Input impedance	50 kΩ (balanced/unbalanced)
Common mode rejection	Min.: 74 dB, typical: 90 dB
Controls	Level control ±6 dB, bypass switch for the active filters (for operations with K&F System Controller), ground lift switch
Display	Bi-coloured LED: green=Power On, red=Limit/Protect
Driver circuit	High pass 45 Hz (-3 dB), 24 dB/octave (FILTERS 'ON'), Phase correction, frequency equalisation (EQ), peak limiter, RMS limiter

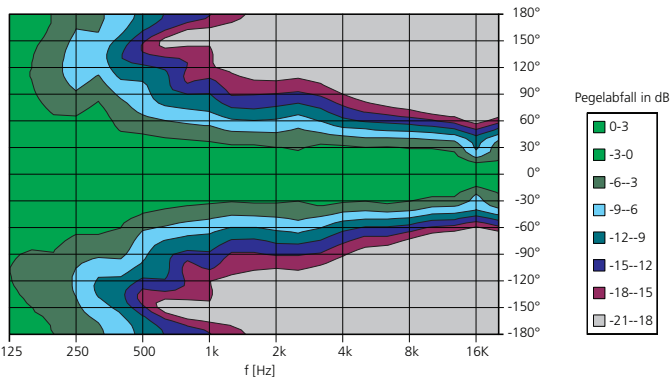
Amplifier Module

Type	Class D
Power	1000 W @ 8 Ω (EIAJ)
Power bandwidth	10 Hz to 30 kHz
Damping factor	>500 (100 Hz), >100 (10 kHz)
S/N ratio	>105 dB (A)
Cooling	Air convection (without fan)
Protection circuits	Short circuit, over-temperature, clipping, overload
Supply voltage	230 V version: AC 195 – 250 V, 50/60 Hz
alternative	115 V version: AC 95 – 125 V, 50/60 Hz
Power consumption nominal	@ 230 V: 1,25 A @ 115 V: 2,5 A
Burst current (Irms/<500 ms)	@ 230 V: 7 A @ 115 V: 14 A
Idle Current	@ 230 V: 200 mA @ 115 V: 400 mA

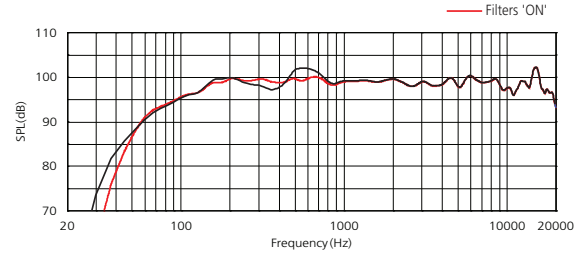
Enclosure

Dimensions (W x H x D)	379 x 605 x 375 mm
Weight	33.5 kg
Colour	RAL 9005 (black) RAL special colour
Accessories	See catalogue or www.kling-freitag.com

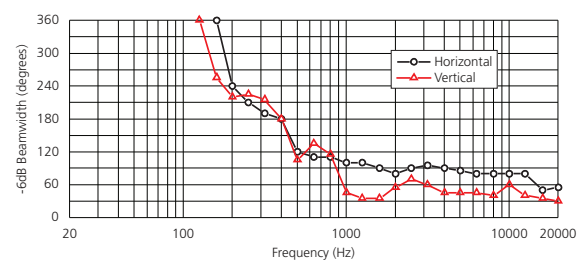
Horizontal radiation pattern



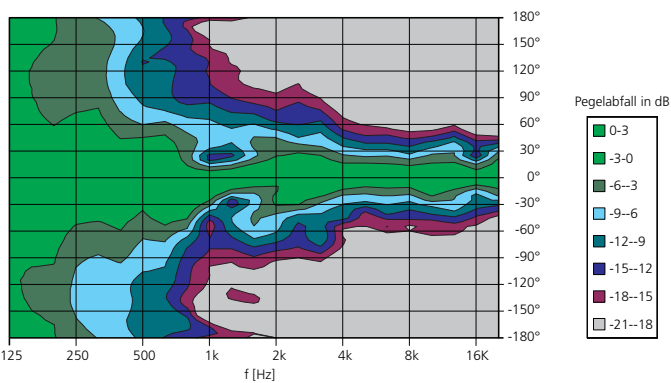
Frequency response 'on axis'



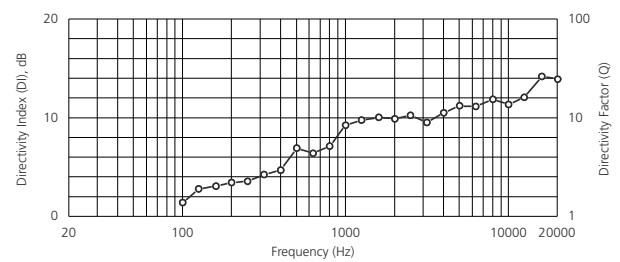
Beamwidth vs. frequency



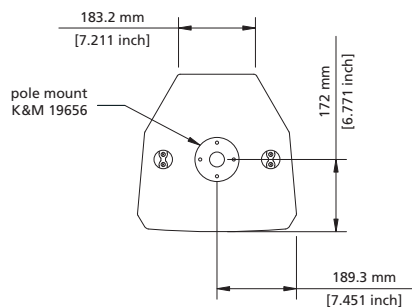
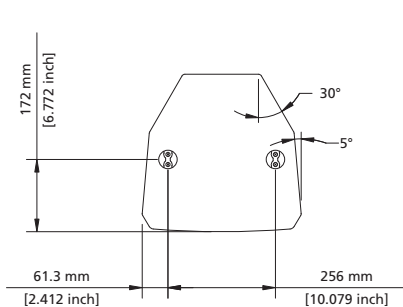
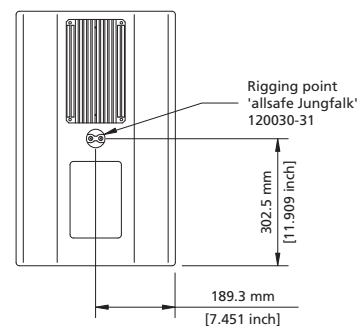
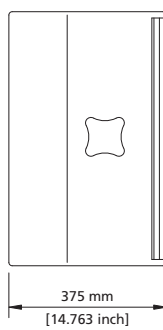
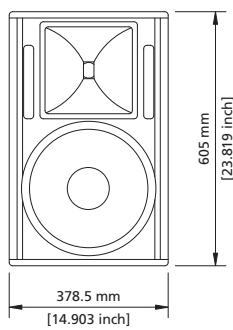
Vertical radiation pattern



Q-Index



All measurements under free field conditions. Frequency diagrams 1/6 octave averaged, radiation and polar pattern 1/3 octave averaged. The manufacturer reserves the right to make product alterations to improve product quality without prior notice. Errors excepted.



Further information and data like specifications, manuals, technical drawings as DWG, DXF and PDF files as well as data files for acoustic simulations with Ease and Ulysses are available on our web site www.kling-freitag.de

KLING & FREITAG GmbH
Wohlenbergstr. 5
D-30179 Hannover
Tel. +49 (0)511 96 99 7-0
Fax +49 (0)511 96 99 7-97