

- **2-way full-range compact loudspeaker system loaded with 2 x 8" /1"**
- **Good vertical directivity starting at 500 Hz**
- **124 dB max. SPL/1m**
- **RMS / peak HF driver protection**
- **Good articulation of human voice and reproduction of music programme**
- **16 Ohm version and 100 Volt version available**

The K&F ELA MK II is a compact full-range-highpower loudspeaker system with two powerful 8" transducers and a 1" soft-dome tweeter with flare. The full passive ELA Mk II gives high SPL for spoken word and music programme for short and medium throw applications. The low frequency response is strong and goes down to 75 Hz. Even at high sound pressure levels reproduction is without coloration and free of distortion.

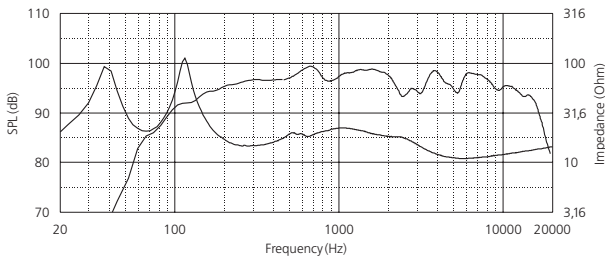
The linear placement of the two 8" transducers gives a 40 degree vertical pattern which is perfect for a good nearfield saturation even in reverberant rooms. Even at a distance the ELA MK II sounds very direct. High power handling and high sensitivity are the base for respectable dynamic reproduction which makes the ELA Mk II useful as a main P.A.-system. For music programme the use of a subwoofer is recommended (e.g. K&F SW115D-XO). The ELA MK II has a trapezoidal shape with two M8 points for a variety of mounting hardware and an internal pole mount. For special installations the ELA MK II can be ordered with custom rigging points and painted in RAL colours.

The integrated cross-over with RMS and peak driver protection provides a good and safe long term operation. Its reliability and performance make the ELA MK II very useful for high-end fixed installations, whether in 16 Ohm or in the 100 Volts 150 Watt version.

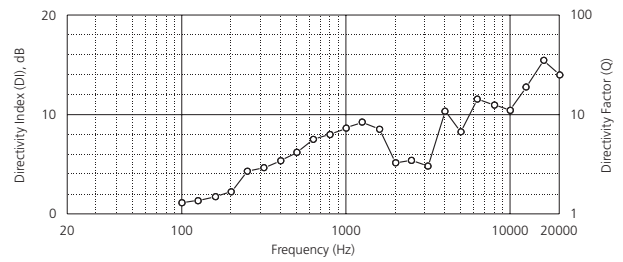
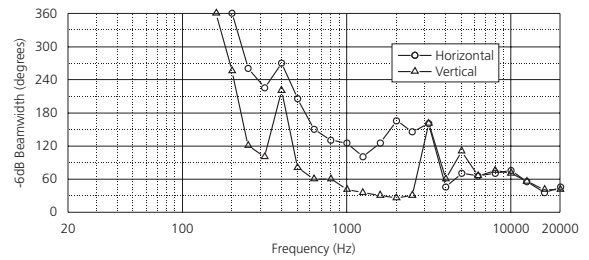
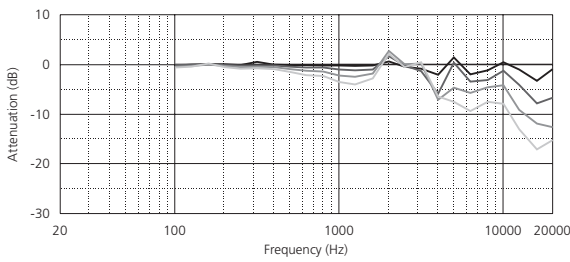


Design	2-way passive-system, bassreflex tuning
Frequency response -10 dB	75 Hz - 18 kHz
Frequency response ±3 dB	110 Hz - 15 kHz
Nominal coverage angles	120° x 40° LF, 70° x 70° HF (hor. x vert.)
Directivity index (DI)	8 (+3,5/-3) 630 Hz - 10 kHz
Power handling	150 Watt
Sensitivity 1 W/1 m	97 dB
Max SPL	124 dB (SPL peak/1 m)
Components	8" woofer (2) 1" soft-dome tweeter with ferrofluid on a short concentric horn
Crossover	3,0 kHz 12 dB/oct. automatic resetable tweeter protection
Impedance	16 Ω
Connectors	2 x Speakon NL4MP (1+/1-)
Connectors 100 Volt version	barrier strip or 2 x Speakon NL4MP
Additional descriptive data	Trapezoid enclosure 15 mm birch plywood with scratch proof polyurethane grey or black paint 2 x M8 internal T-Nuts internal pole mount K&M 19656 black painted perforated stell grille with black acoustical foam
Dimensions	267 x 557 x 290 mm (W x H x D)
Weight	15 kg
Weight 100 Volt version	16,7 kg
Options	100 Volt version with toroidal transformer (50/100/150 VA oder 30 VA), variety of mounting hardware, painted in RAL-colours

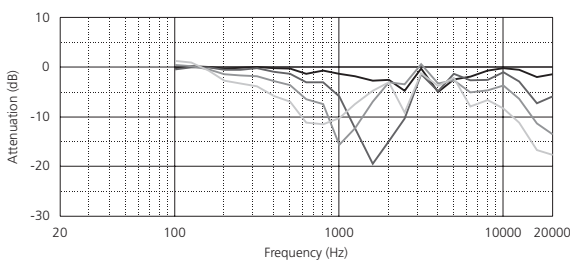
ELA MKII



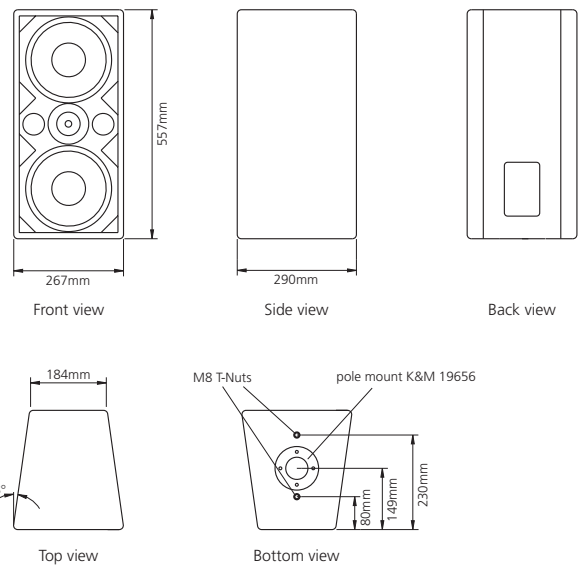
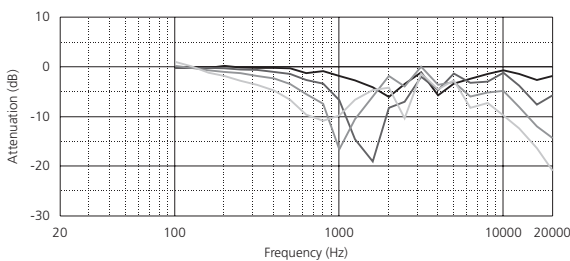
Horizontal frequency response "off axis"



Vertical frequency response "off axis up"



Vertical frequency response "off axis down"



All measurements: Far field conditions. Frequency response 1/6 octave averaged, polar and directivity data 1/3 octave averaged. Kling & Freitag reserves the right to change all specifications without notice. We are not liable for misprints.

Architects' & engineers' specifications

Excellent 2-way full-range loudspeaker system loaded with two 8" woofers and 1" soft dome driver with ferrofluid on a small flare. Integrated crossover with automatic resettable (HF) driver protection. Trapezoidal enclosure 15 mm birch plywood with scratch proof polyurethane paint grey, internal pole mount, 2 x M8 points for a variety of mounting hardware, easily exchangeable black painted perforated steel grille with black acoustical foam.

Technical specifications

Frequency response: 75 Hz - 18 kHz (-10 dB), 110 Hz - 15 kHz (± 3 dB), Max SPL: 124 dB (SPL peak/1 m), Sensitivity:

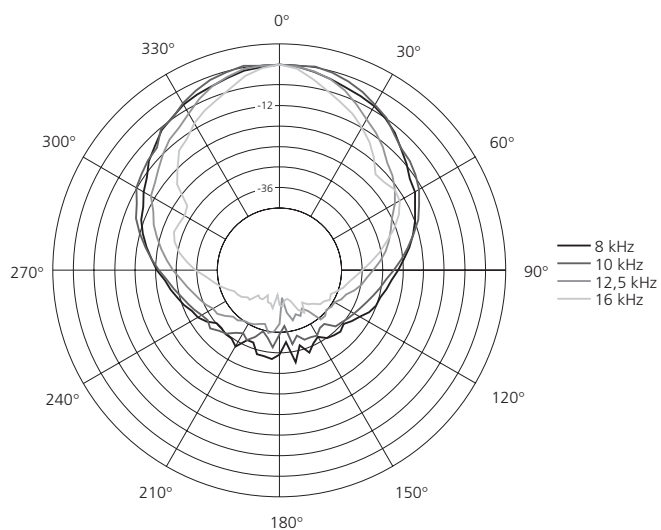
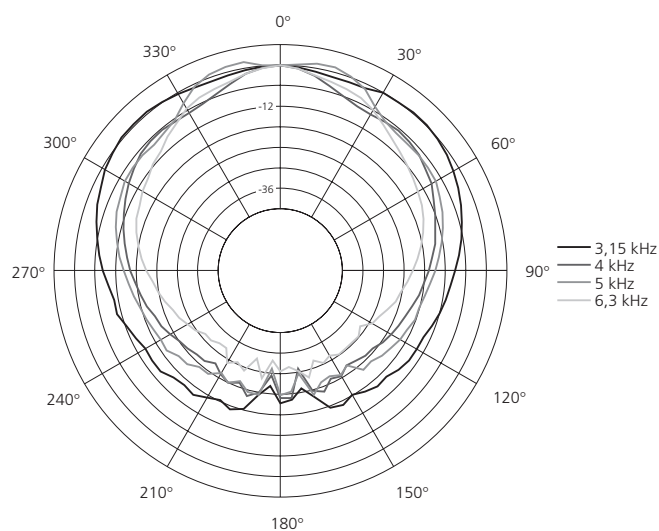
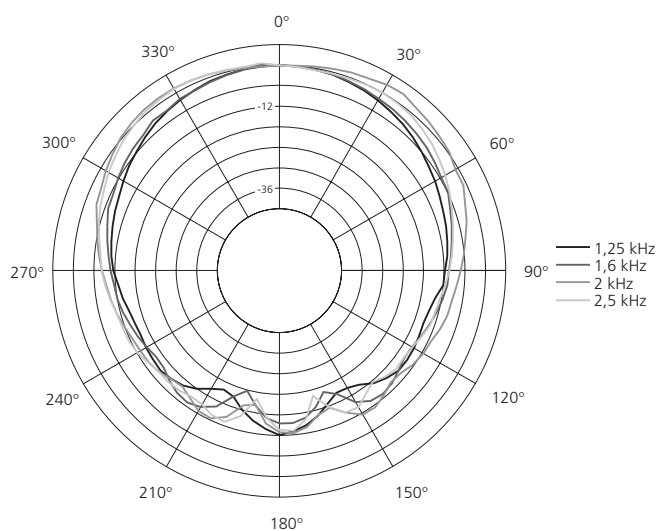
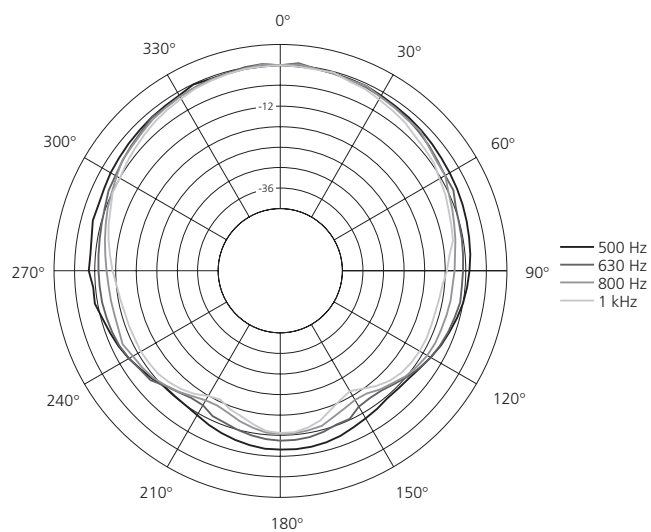
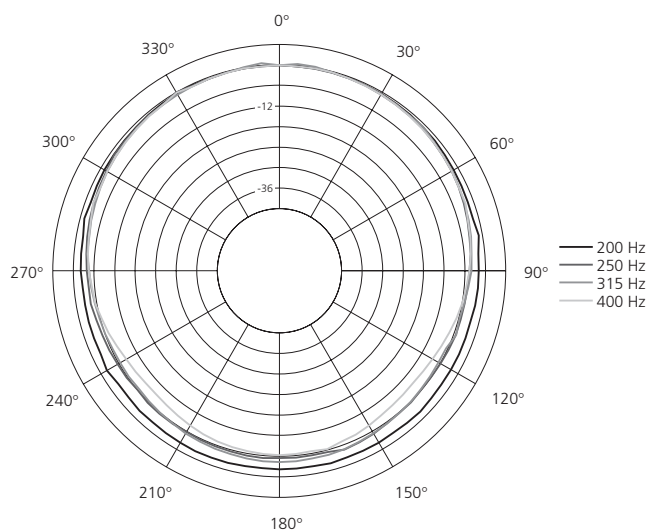
97 dB (1 W/1 m), Power handling: 150 W, Impedance: 16 Ω , Dispersion pattern: 120° x 40° woofer, 70° x 70° tweeter (hor x vert), Directivity index: 8 (+3.5/-3) 630 Hz - 10 kHz, Connectors: 2 x Speakon NL4MP, Size: (W x H x D) 267 x 557 x 290 mm, Weight: 15 kg. Options: painted in RAL colours, 100 V version.

Model: Kling & Freitag ELA MKII

Kling & Freitag GmbH
Junkersstrasse 14
D-30179 Hannover
Tel. +49 (0)511 96 99 7-0
Fax +49 (0)511 67 37 94
www.kling-freitag.de



Horizontal Polar Plots



Vertical Polar Plots

