

# K&F GRAVIS 15 XW

- Compact full range system 15"/1.4"
- Operation with K&F SystemAmps
- Nominal coverage angles of 110° x 50° (rotatable)
- 134 dB max. SPL
- 35° and 55° installation angle for monitor application
- Easy handling due to low weight, ergonomic handles, integrated pole mount flange



The GRAVIS 15 XW is a compact, light high performance speaker in a multifunctional enclosure for the pro.RENTAL application. The full range speaker has a biaxial structure and is equipped with a 15" low frequency chassis and a 1,4" high frequency driver on a pivoting 110° x 50° CD horn. In smaller or midsize applications it is the appropriate main system for voice and music performances. In larger and complex applications, it may be used as delay, fill or effect speaker, but also as floor wedge.

The GRAVIS 15 XW has a discreet visual aspect. The speaker front is protected by a grille, underlaid with opaque black foam. The enclosure has got two different monitor angles, permitting to adjust the sound field according to the actors. All surfaces in contact with the ground are protected by plastic sliding feet. The two speakON® sockets sunked in the enclosure to protected them against damages. Ergonomic handles permit the comfortable transport of the box, and the easy lifting in a higher position (e.g. on a stand). Accessories are fastened quickly and safe to the K&F VariPoint, complying with the BGV C1.

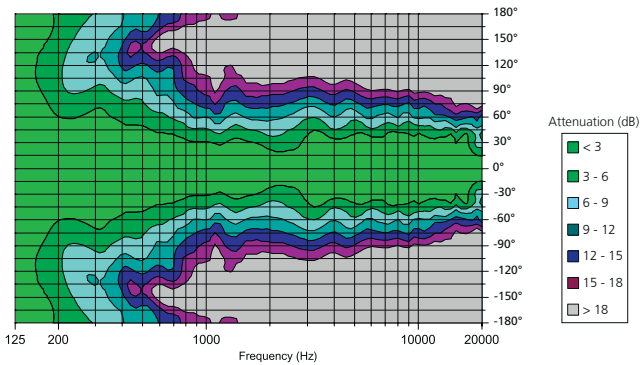
The K&F SystemAmps, which are specified for operation, allows a variety of system combinations, such as one with the high-performance subwoofers of the K&F NOMOS range.

The maximum sound pressure level of 134 dB offers high dynamic resources, especially for live applications. Also, the GRAVIS 15 XW is offering the neutral and at the same time natural sound character which is typical for K&F.

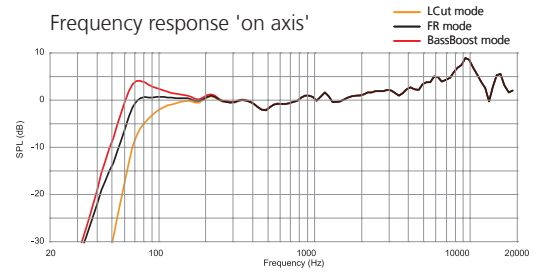
K&F GRAVIS 15 XW	
Design	Passive 2-way bass reflex system
Operation with	K&F PLM+ Series, K&F D Series, K&F SystemRack <sup>1</sup>
Frequency response -10 dB	74 Hz – 22 kHz 'LCut Mode' 54 Hz – 22 kHz 'FR Mode' 52 Hz – 22 kHz 'BassBoost Mode'
Frequency response ±3 dB	100 Hz – 20 kHz 'LCut Mode' 64 Hz – 20 kHz 'FR Mode' 60 Hz – 20 kHz 'BassBoost Mode'
Coverage angles nominal	110° x 50° (hor. x vert.), horn rotatable
Power handling nominal	500 watts
Power handling program	1,000 watts
Power handling peak	2,000 watts
Max. SPL	134 dB (SPL peak/1 m)
Impedance nominal	8 Ω
Loudspeaker per channel	See matrix
Components	1.4" compression driver with 75 mm titan membrane 15" low-mid frequency chassis
Connectors	2 x speakON® 4-pol NLT4MP (+1/-1) IN parallel to OUT
Enclosure	
	15 mm Multiplex enclosure with 35° and 55° monitor angle with highly resistable Polyurea synthetic coating in RAL 9005 (black), integrated pole mount flange, ergonomic handles on top and bottom for horizontal and vertical transport, sunk-in connector panel, 5 K&F VariPoint for fast and safe suspension with Lifting Pin or eyebolt or to fasten Adjustable Speaker Mount or U-Mount Wall/Ceiling Bracket, 12 non-abrasive plastic sliding feet on the bottom and both monitor angles, ball proof steel grille with black acoustic foam behind the grille
Dimensions (W x H x D)	418 x 671 x 384 mm
Weight	25.9 kg
Colour	RAL 9005 (black) RAL special colour
Accessories	See catalogue or <a href="http://www.kling-freitag.com">www.kling-freitag.com</a>

<sup>1</sup> Discontinued

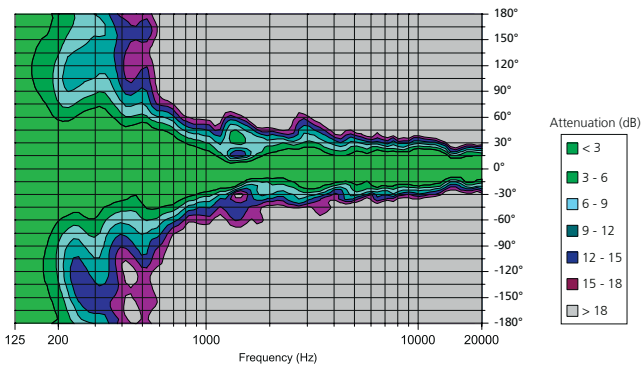
Horizontal coverage pattern



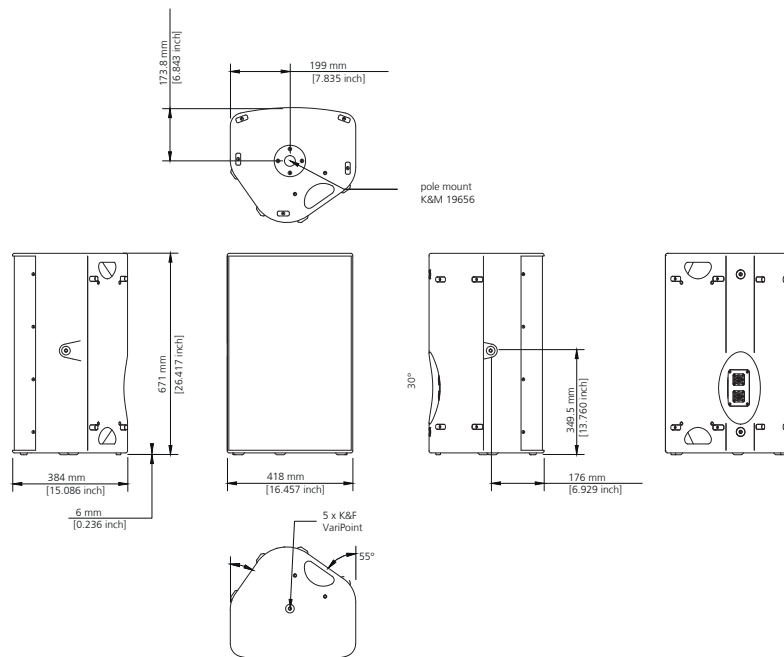
Frequency response 'on axis'



Vertical coverage pattern



All measurements under free field conditions. Frequency patterns 1/6 octave averaged. Coverage and polar pattern 1/3 octave averaged. The manufacturer reserves the right to make product alterations to improve product quality without prior notice. Errors excepted.



Further information and data like specifications, manuals, technical drawings as DWG, DXF and PDF files as well as data files for acoustic simulations with Ease and Ulysses are available on our web site [www.kling-freitag.de](http://www.kling-freitag.de)

**KLING & FREITAG GmbH**  
Wohlenbergstr. 5  
D-30179 Hannover  
Tel. +49 (0)511 96 99 7-0  
Fax +49 (0)511 96 99 7-97