

- Coaxial 3-way beam steering line array
- 48 DSP and amplifier channels
- Beam steering over software in real time
- Max array length of 8.9 m on a flying frame possible
- Optional cardioid module VIDA C
- Additional mechanical tilting with installed angle measuring tool



VIDA stands for 'versatile intelligent digital array'. The aim of the VIDA L development is to explore from the outset what is technically feasible and to implement this as a groundbreaking innovation.

A total of 48 DSP and Class D power amplifier channels are distributed on three loudspeaker routes in a coaxial arrangement. Each VIDA L module is equipped with six 6.5" woofer chassis, twelve 3.5" mid-range drivers and thirty-two 1" dome tweeters. For the beam steering typical artefacts of up to 10 kHz are avoided in combination with the special waveguide system.

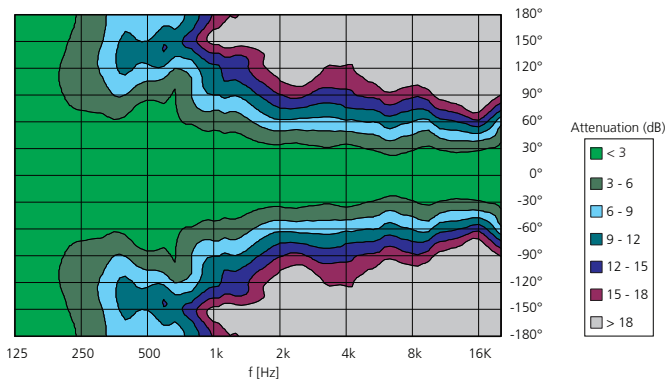
Through active allocation of the frequency spectrum to each optimised woofer, mid-range and tweeter chassis, dynamic playback of up to 60 Hz can be achieved. In this way, the VIDA L meets all the requirements of a full range system. If required, the optional VIDA C module that can be mounted on the back of the VIDA L can further extend the low frequency range or, alternatively, can optimise the system's low frequency radiation in cardioid mode. An auxiliary DSP output is available for the expansion of subwoofers.

VIDA L offers all common input variants such as DANTE, AES3 and analogue. In case of a fault the two stage fallback concept switches to a substitute signal. All loudspeakers within an array are connected to each other via an ethernet cable and are automatically recognised and grouped in the software. With VIDA L security is paramount and redefined!

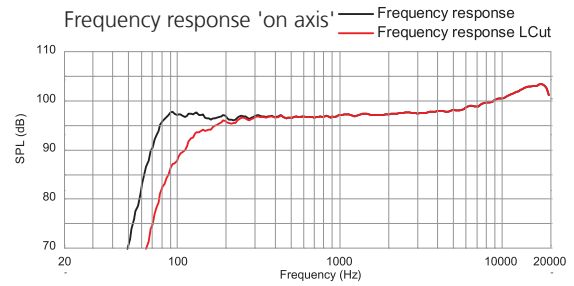
The high-quality and subtly hidden connection mechanics of the VIDA L, which has been kept lean, can be used easily and safely. Using the optional flying frame, individual and coupled elements can be vertically flown or mechanically tilted forward. The inclination of the system is thereby recognised via the integrated goniometer and is fed into the calculation of the beam steering algorithm. All calculations and adjustments are made in real time! A touch-based, native app is available for operation (at least Win 8.1).

K&F VIDA L	
Design	Active 3-way coaxial line array with beam steering
Frequency response -10 dB	80 Hz – 22 kHz 'LCut Mode' 65 Hz – 22 kHz 'FR Mode'
Frequency response ±3 dB	115 Hz – 21 kHz 'LCut Mode' 77 Hz – 21 kHz 'FR Mode'
Coverage angle horizontal	90° nominal (in vertical operation)
Coverage angle vertical	Coverage angle adjustable up to 90° +/- 45° Steering angle
Max. SPL (1 m)	135 dB
Components	32 x 1" dome tweeters 12 x 3.5" high-mid frequency chassis 6 x 6.5" low-mid frequency chassis
Power AMP OUT	2 x 400 watts RMS/4 Ω
Min. impedance AMP OUT	4 Ω/channel
AUX OUT	Nominal +6 dBu
Analogue Input	Fullscale at +18 dBu
Connectors	1 x analogue input (XLR), 1 x AES/EBU input (XLR), 1 x VIDA BUS input (Ethernet), 1 x PowerCon True 1, 1 x analogue link (XLR), 1 x AES/EBU link (XLR), 2 x DANTE remote (primary/secondary), 1 x AUX OUT (XLR), 1 x AMP OUT (speakON®), 1 x VIDA BUS output (Ethernet), GPIOs (Phoenix-Connector)
Mechanical tilt	Single and double-stranded possible, also in combination with VIDA C
Power supply	
Wide range power supply	100 V – 240 V AC, 50/60 Hz
Rated input power	520 watts (@ 1/8 rated output power)
Max. power consumption	2,350 watts
Enclosure	Extruded aluminium profile with internal hidden flight mechanics, back action rail with slot nuts for mounting brackets and VIDA C, flight mechanics to be secured/released via a back action operating lever, heavy duty powder coating in black, terminal set obliquely downward, ball proof steel grille with black acoustic foam
Dimensions (H x W x D)	1075 x 210 x 341 mm 1075 x 210 x 480 mm (VIDA L w. VIDA C)
Weight	48.2 kg 61.8 kg (VIDA L with VIDA C)
Colour	RAL 9005 (black) RAL special colour
Accessories	See catalogue or visit www.kling-freitag.com

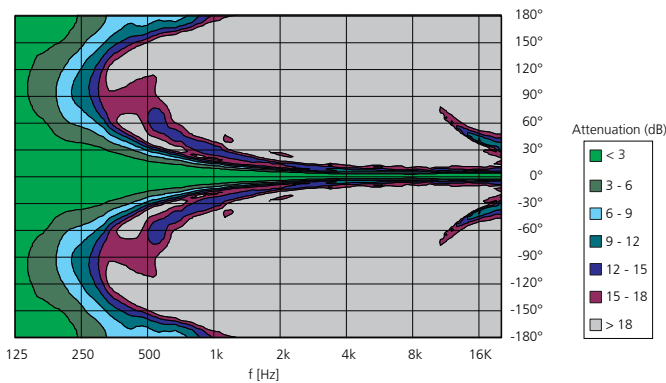
Horizontal coverage patter



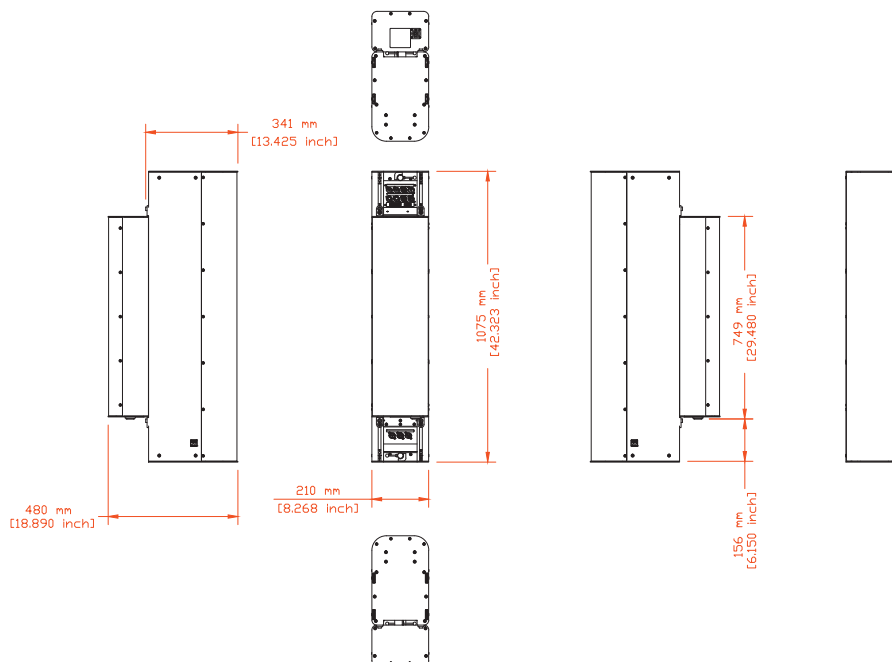
Frequency response 'on axis'



Vertical coverage patter



All measurements under free field conditions. Frequency patterns 1/6 octave averaged. Coverage and polar pattern 1/3 octave averaged. The manufacturer reserves the right to make product alterations to improve product quality without prior notice. Errors excepted.



Further information and data like specifications, manuals, technical drawings as DWG, DXF and PDF files as well as data files for acoustic simulations with Ease and Ulysses are available on our web site www.kling-freitag.de

KLING & FREITAG GmbH
Wohlenbergstr. 5
D-30179 Hannover
Tel. +49 (0)511 96 99 7-0
Fax +49 (0)511 96 99 7-97