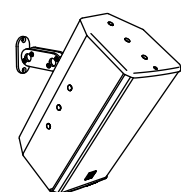




EN | | VERSION 1.0 | 03/08/2021



USER'S MANUAL
K&F CA 106 PRO wall bracket

Table of Content

Chapter / Content	Page
1 Introduction	4
1.1 Icons Used	4
1.2 About this user's manual	4
2 Product Description	5
2.1 Intended Use	5
2.2 Items Included	5
2.3 Speaker Mount Parts and Features	5
2.4 How It Works	6
2.5 Technical Specifications	7
2.5.1 Overview	7
2.5.2 Wall-Mount Dimensions	7
2.5.3 Wall-Installation Dimensions	8
2.5.4 Ceiling-Installation Dimensions	9
3 Safety Instructions	10
4 Installation	11
4.1 Mounting the Wall Mount to a Wall or Ceiling	11
4.2 Mounting and Aligning the Speaker	13
5 Maintenance.	14
6 Transportation and Storage	14
7 Disposal	14

1 Introduction

1.1 Icons Used



This icon indicates a risk of injury or death. Not following these instructions may result in serious health problems including potentially fatal injuries.



This icon indicates a possibly dangerous situation. Not following these instructions may cause minor injuries or damage.

HINWEIS

This icon marks instructions for proper use of the described products. Not following these instructions may cause malfunctions or damage.



This icon marks information provided for simplified use of the described products.

1.2 About this user's manual

EN | Translation of the original instructions

All KLING & FREITAG manuals are originally authored in German.

© KLING & FREITAG GmbH, all rights reserved.

All specifications regarding the features of the described products and applicable safety guidelines provided in this manual are based on information available at the time of publishing.

We assume no responsibility for technical specifications, dimensions, weights, and properties.

All information in this manual is subject to change without notice.

To ensure safe operation, all persons using the speaker system must have access to these user's manual and all other relevant material during installation. Ohne dieses gelesen, verstanden und griffbereit vor Ort zu haben, darf das Lautsprechersystem weder aufgebaut noch eingesetzt werden.

KLING & FREITAG spare manuals are separately available for order or can be downloaded from our website: www.kling-freitag.de

Contact Us: info@kling-freitag.de

KLING & FREITAG GMBH, Wohlenbergstr. 5, D-30179 Hannover

Phone +49 511 96 99 70, fax +49 511 67 37 94 (other countries)

2 Product Description

The CA 106 PRO wall mount is used for mounting a CA 106 PRO-type speaker to a wall or ceiling. You can direct the speaker properly using the appropriate accessories.

To do so, attach the wall mount to the speaker using the thread holes at the rear. You can freely angle the speaker using the two ball joints.

2.1 Intended Use

Attach the wall mount to a K&F CA 106 PRO speaker only. To do so, attach the wall mount to the speaker using the thread holes at the rear.

The wall mount is suitable for both wall and ceiling installation.

Also, be sure to use accessories to the CA 106 PRO speaker system for stationary indoor installations only. The system is not designed for repeated assembly, reconfiguration, disassembly, or transport.

Any use not described in this User's Guide is not an intended use.

Unauthorized changes to the product are not permitted.

2.2 Items Included

- 1x wall mount
- Manual (1 item)

2.3 Speaker Mount Parts and Features

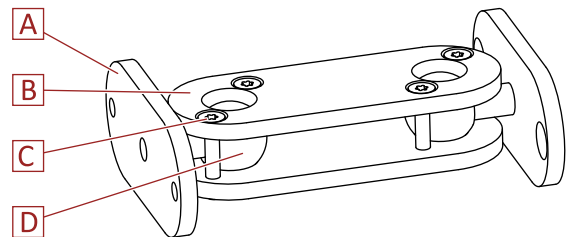
- 2 x M6 x 20 countersunk screw with hexagon socket, IS 4, for attaching the wall mount to a speaker

[A] Mounting plate for installing to a wall or speaker, respectively

[B] Clamping plate

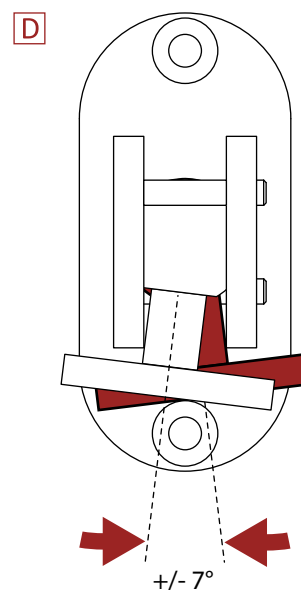
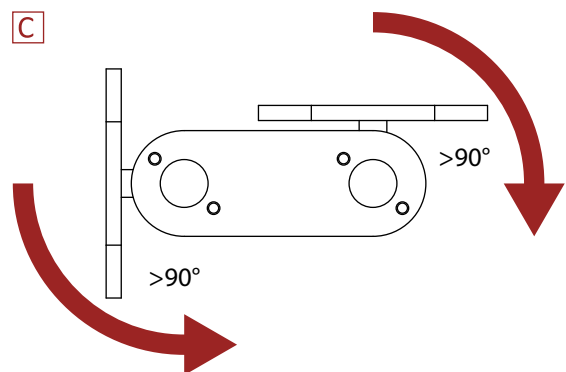
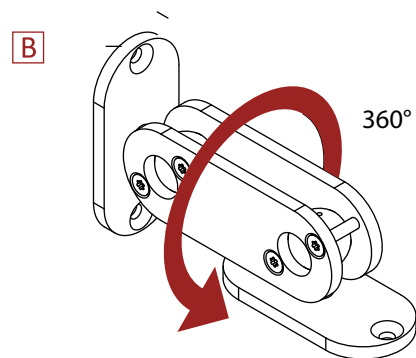
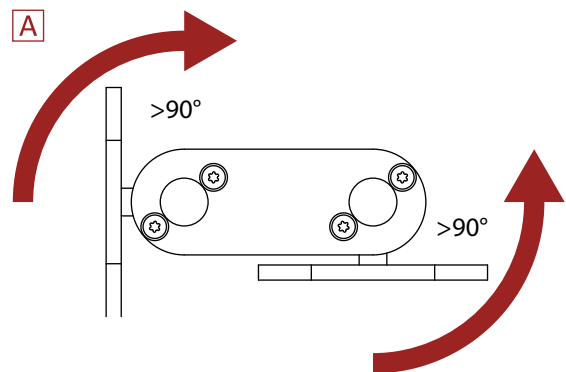
[C] M5x30 countersunk screws with Torx drive, TX25, for securing the clamping plates.

[D] Ball



2.4 How It Works

1. Figures [A] to [C] show how to angle the wall mount to any position.
2. Figure [D] shows a backlash that allows for compensating small systemic differences in height with speakers placed side by side in a mirrored arrangement.



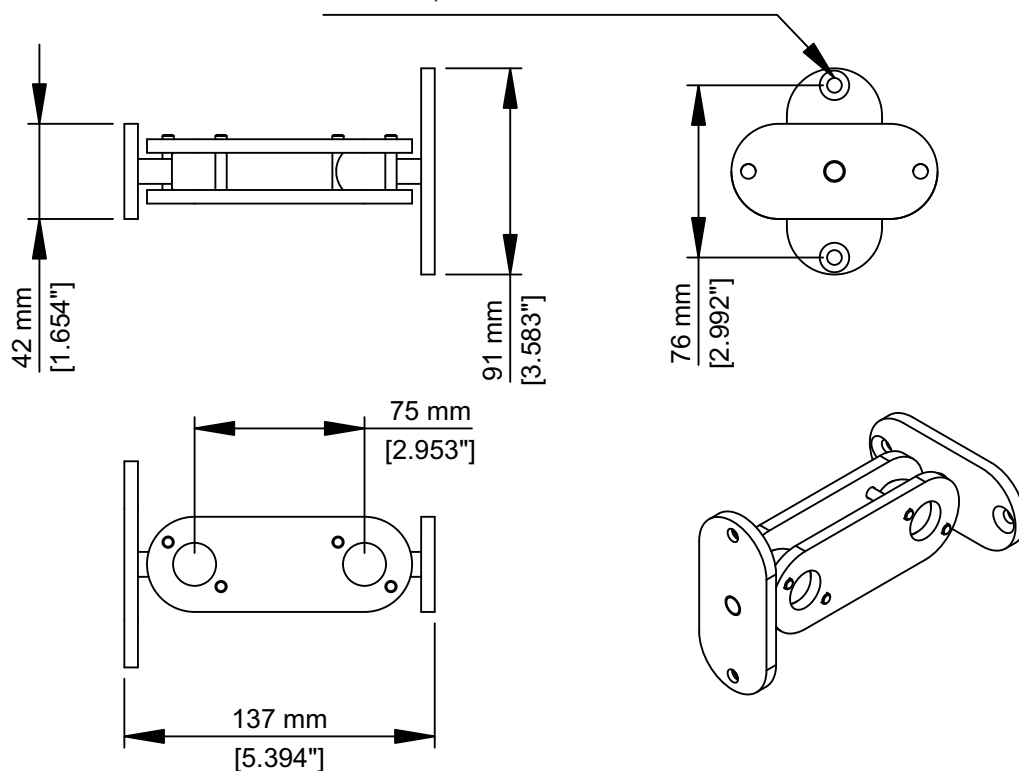
2.5 Technical Specifications

2.5.1 Overview

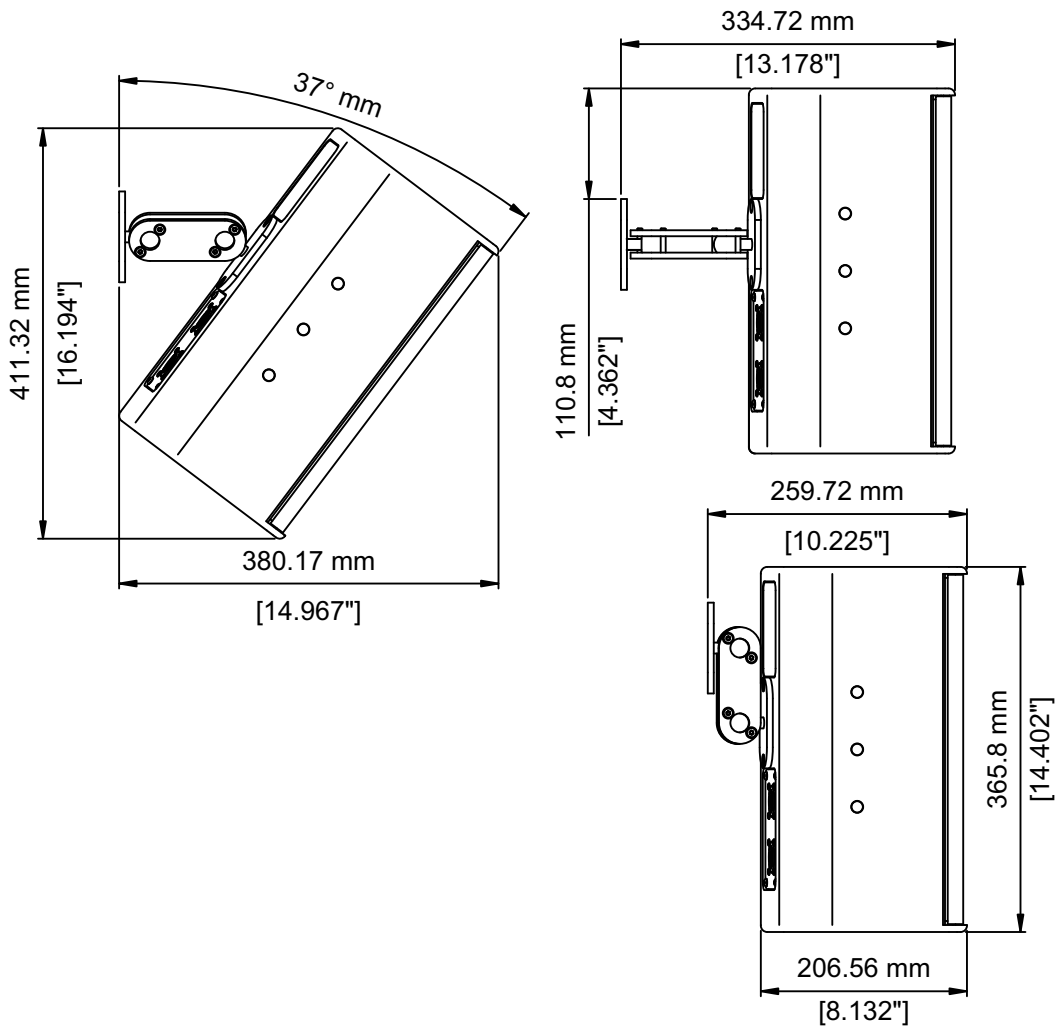
Load capacity	1 CA 106 PRO speaker
Weight	1.7 kg
Colors	RAL 9005 (black), standard RAL 9010 (white), standard RAL spot color, on request

2.5.2 Wall-Mount Dimensions

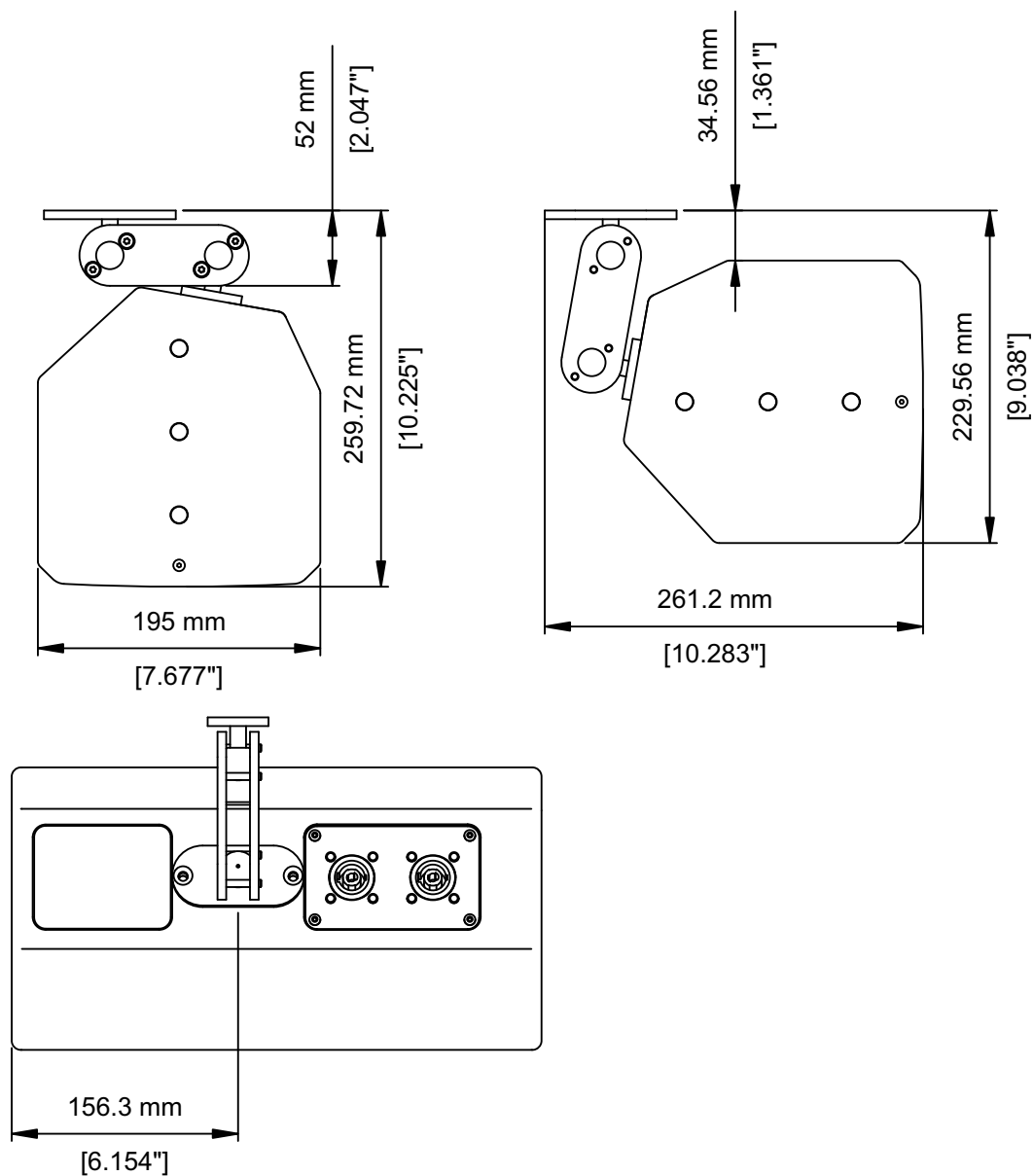
Mounting Holes, 2x on each Mounting Plate: D6,5mm THRU - D13mm x 90°



2.5.3 Wall-Installation Dimensions



2.5.4 Ceiling-Installation Dimensions



3 Safety Instructions

WARNUNG

Risks imposed by falling or overturning parts

- Be sure to suspend, secure, and use Kling & Freitag speaker accessories only using the designated fixtures as specified in this document.
- During installation, be sure to cordon off the installation site to prevent any risks caused by falling parts.

Safety Instructions for Suspending the Speakers

Suspended loads pose a safety risk.

- Have wall or ceiling installation works performed by qualified event technicians or appropriately trained persons.
- Make sure installers use personal protective equipment at all times.
- The technicians installing the speaker on site are responsible for and guarantee safe setup and use.
- Before installing, check the stability, strength, and materials of walls, ceilings, and boarding. For example, always use appropriate wall anchors for panels and check for sufficient strength.
- Note that the suspension points on the hall ceiling (i.e. shackles, attachment points, or chain hoists) must comply with the DGUV regulations 17 (BGV C1) or similar locally applicable accident-control standards. The maximum load must have been certified by an authorized expert.
- Be sure to tighten all bolts and screws to the specified torque.
- Unless otherwise stated, use only KLING & FREITAG original parts for mounting the speakers. Never use other parts (in particular, parts not made by KLING & FREITAG).
- Make sure the wall anchors used are suitable for the task at hand and meet all relevant safety requirements.
- Be sure to always visually inspect all safety-related speaker and accessory components before use. If there are signs of wear, cracks, or deformation, etc., replace the affected parts immediately. Visual inspection also includes checking all screwed connections of supporting components.
- The information described here does not relieve the user of the duty to follow the given safety requirements and legal regulations.

4 Installation

4.1 Mounting the Wall Mount to a Wall or Ceiling

Required Tools	Required mounting material
Tools for wall/ceiling-anchor installation	Fixtures (e.g. anchors, screws) suitable for the specific wall / ceiling structure
Hexagon socket wrench, size IS4	
Torx (hexalobular socket) wrench, size TX25	

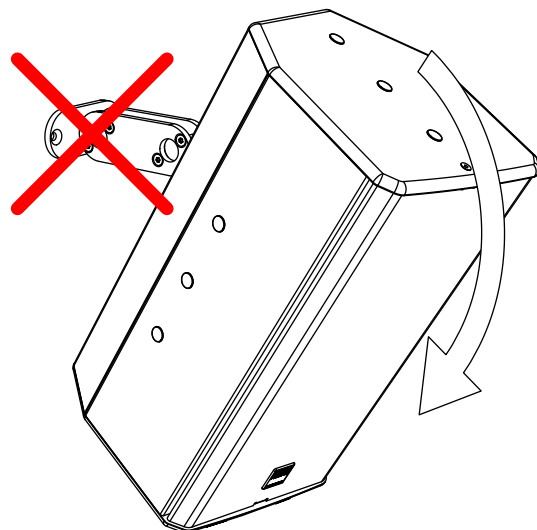
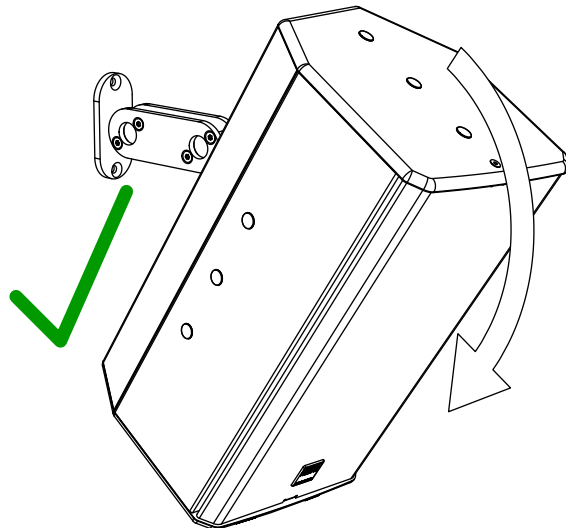
⚠️ WARNUNG

Risks imposed by falling parts

Obtain fixtures suitable for the wall / ceiling material that are capable of withstanding the following extraction and shear forces:

- Extraction forces: 48 daN
- Shear forces: 35 daN

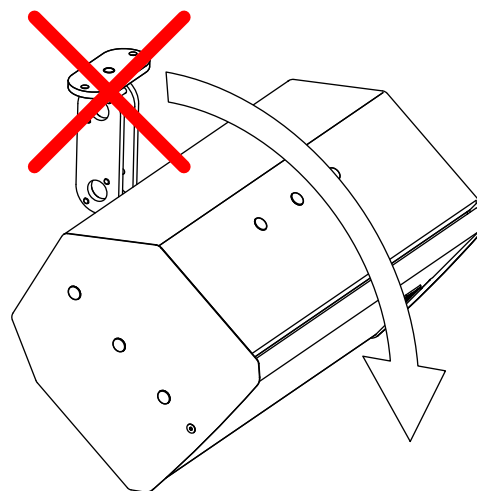
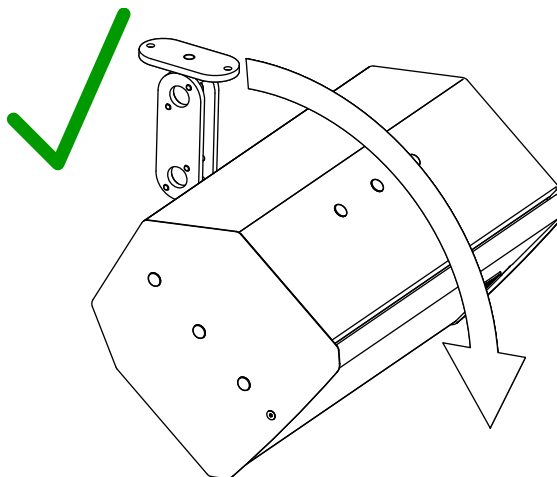
The anchors must withstand those forces permanently. The specified values are actual loads; depending on the application at hand and the anchor properties, you may have to consider safety margins. Wall anchors must be aligned vertically to the load direction at all times.



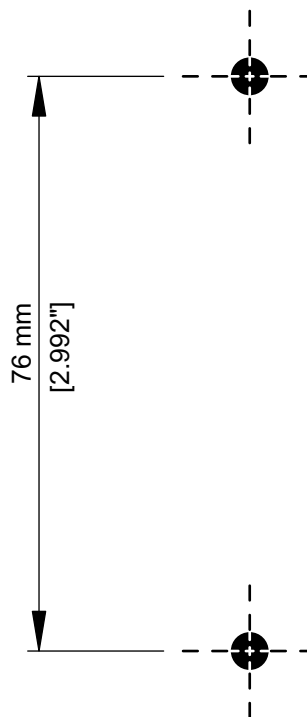
⚠️ WARNUNG

Risks imposed by falling parts

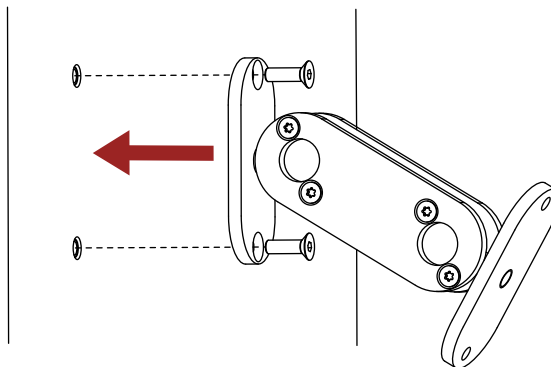
Ceiling anchors must always be done along the load plane.



- 1. Place two anchor points at a distance of 76 mm.

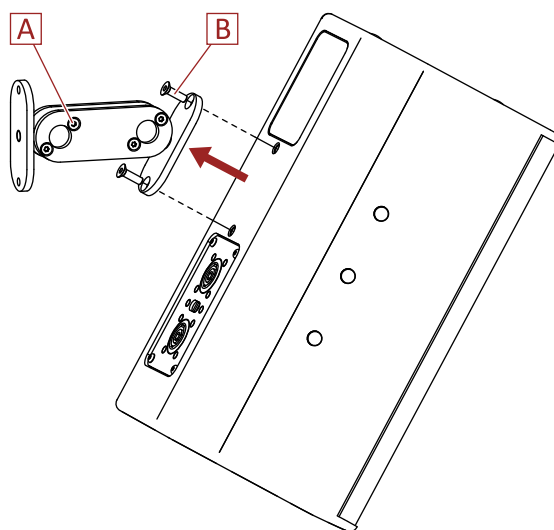


2. Secure one wall-mount plate to the wall or ceiling.



4.2 Mounting and Aligning the Speaker

3. Loosen four screws **[A]** using a TX25 Torx wrench, so that the wall mount can be angled freely.
4. Use two screws **[B]** to fasten the speaker to the wall mount using an IS4 hexagon socket wrench.
5. Align the speaker as needed; if necessary, refer to chapter »How It Works« on page 6.
6. Retighten the four screws **[A]** using the TX25 Torx wrench.



5 Maintenance.

WARNUNG

Risk of falling parts due to undetected damage

- Visually inspect all speaker accessories before and after use.
- With stationary installations, visually inspect the entire setup every six months.
- When performing those checks, particularly look for deformations, cracks, dents, damage to threads, and corrosion. Also check slings and lifts (e.g. shackles, chains, and steel ropes) carefully for wear and deformation. The inspection must be carried out by a qualified expert.
- If as a result of these checks any uncertainty should arise with regard to safety or defects are found, don't use the speaker any longer. Contact your retailer.
- All repair work must be performed by Kling & Freitag after evaluation carried out by engineering.
- Many countries require regular inspection of mounting components and accessories. An additional annual inspection is typically required to be performed by a technical expert. Moreover, a legally certified or official authority must perform a detailed inspection every four years.
- Therefore, be sure to maintain an inspection log. Enter the values determined for each speaker and accessory during the periodic checks into this log. This way, relevant data are always at hand in case of inspection. This inspection log book shall be updated with the inspection steps, test intervals and parts lists.
- If necessary, use multifunction oil for care.

6 Transportation and Storage

This product is protected against the effects of temporary humidity and moisture, etc. Nevertheless, be sure to store, transport, and use it in dry

Make sure that the system is adequately ventilated during longer storage periods so any residual moisture can escape from the equipment.

In addition, make sure that the product is protected from mechanical strains in order to prevent damage.

To protect the speaker from the above impacts, we recommend using suitable transport and storage equipment.

7 Disposal

Dispose of this product according to local ordinance regulations.

Ensure that the product cannot be re-used or used otherwise after disposal.



**THANK
YOU** FOR
CHOOSING
K&F.



KLING & FREITAG GmbH

Wohlenbergstrasse 5 · D-30179 Hannover

Phone +49 (0)511 969970

www.kling-freitag.de · info@kling-freitag.de