

Adjustable Speaker Mount / U-Mount

for **CA** 106



User's Manual



**Important Information,
Please Read Before Use!**

KLING & FREITAG GmbH
Wohlenbergstrasse 5
D-30179 Hannover
PHONE 0 (049) 511- 969 97-0
FAX 0 (049) 511- 67 37 94
www.kling-freitag.de



Adjustable Speaker Mount / U-Mount for CA 106

Symbols in User's Manual



Warning

This symbol indicates the possibility of life-threatening danger and a health risk for persons. Not following these instructions may result in serious health problems including potentially fatal injuries.



Caution

This symbol indicates a possibly dangerous situation. Not following these instructions may cause minor injuries or cause property damage.



Important

This symbol gives instructions for the proper use of the described products. Not following these instructions may cause malfunctions or property damage.

Information about this User's Manual

User's Manual Adjustable Speaker Mount / U-Mount for CA 106, Version 1.2, 12.03.2015

© by André Figula, Kling & Freitag GmbH, 2005; all rights reserved.

All specifications in this manual are based on information available at the time of publishing for the features and safety guidelines of the described products.

Technical specifications, measurements, weights and properties are not guaranteed.

The manufacturer reserves the right to make product alterations within legal provisions as well as changes to improve product quality.

All persons who use this rigging and mounting system must have this guide and all further information for safe operations available to them during assembly, disassembly, and use.

We appreciate any input with suggestions and improvements for this manual. Please send this to us at the following address:

info@kling-freitag.de

or to:

KLING & FREITAG GMBH, Wohlenbergstr. 5, D-30179 Hannover,
Phone +49 (0) 511 - 96 99 70 Fax +49 (0) 511 - 67 37 94

Contents

Chapter	Page
1. Safety Instructions	5
2. Shipped Components and Part Definitions	7
2.1 Adjustable Speaker Mount CA 106	7
2.2 U-Mount CA 106	7
3. Optional available Mounting Equipment	8
4. Installation and Usage Instructions	9
4.1 Adjustable Speaker Mount	9
4.1.1 Installation on the Speaker	9
4.1.2 Suspending the Speaker Mount with Eyebolts	9
4.1.3 Installation and Use of the K&F Stand Adapter	10
4.1.4 Installation and Use of the Pipe clamp with TV Spigot	11
4.2 U-Mount CA 106	12
5. Instructions for Ceiling and Wall Installation	13
6. Basic Dimensions, Weights and Load Capacity	13
6.1 Adjustable Speaker Mount CA 106	13
6.2 U-Mount CA 106	14



1. Safety Instructions

The rigging and mounting system may only be suspended by trained specialised personnel with proof of their qualifications.

The adjustable speaker mount / U-mount for CA 106 is only for professional use and is only to be used to mount Kling & Freitag speakers CA 106. Furthermore, it may only be used as specified for uses at trade fairs, in theatres, studios, and events, etc. according to the stipulations of the BGV C1 or a comparable national standard.

As a general rule the rigging and mounting system must be inspected each time it is packed or unpacked. If permanently installed the system must be checked for signs of wear at regular intervals.

In addition an inspection book for the rigging and mounting system should be kept. This book should document maintenance measures and inspection intervals and contain parts lists.

If as a result of these checks any uncertainty should arise with regard to safety or if specific faults are found, the rigging and mounting system may no longer be used.

During the course of these checks particular attention should be paid to evidence of deformation, cracks, damage to threads and corrosion. Mounting devices such as shackles, chains and wire ropes should also be carefully checked for signs of wear or deformation.

Any damaged components must be replaced immediately. Do not attempt to repair the adjustable speaker mount / U-mount by yourself! If the rigging and mounting system is damaged, it must be disposed of immediately. Please send the adjustable speaker mount / U-mount back to Kling & Freitag GmbH or bring it to a professional scrap processing plant. It must by all means be guaranteed that the system can no longer be used in any way after its disposal.

For assembly only original Kling & Freitag parts may be used. The use of other parts – in particular parts by other manufacturers – is not authorized.

Please adhere to the maximum admissible load capacity of 9 kg for the adjustable speaker mount / U-mount, and do not exceed the maximum admissible configurations (1 CA 106 system incl. mounting accessories on one adjustable speaker mount / U-mount).

The adjustable speaker mount / U-mount may not be used to lift and secure persons or objects aside from the above-mentioned speakers.

Please refer also to the operating and safety instructions for the product on which the adjustable speaker mount is to be suspended (e.g. truss). If no information is available regarding safety of use and permissible load, then the rigging and mounting system must not be suspended upon it. Make sure that the rigging points on the ceiling of the hall (i.e. chain hoists) comply with the accident prevention regulation BGV C1 (presentation and production sites for scenic performances) or the comparable safety regulations for your country. Furthermore, the total load must be approved by TÜV or a comparable institution. If in doubt, let local authorities verify this.

Those persons entrusted with the task of erecting the rigging system are responsible for ensuring the safe assembly and safe operation of the system.

These instructions and all other necessary information regarding safety of operation must be distributed to all persons using the rigging and mounting system. The system may not be assembled and put into operation unless these instructions have been read and understood.

When chain hoists are being used to lift loudspeakers all persons must vacate the area below and around.

Only those persons directly involved in the assembly and dismantling procedures may be present while work is in progress. A clear signal must be given on each occasion before the system is raised, lowered or released from its rigging. All persons must then remove themselves from the radius of movement.

The safe operation of the rigging and mounting system depends upon various factors specific to the area of operation. For example, adverse weather conditions such as wind or rain can impair the safety of the system. These factors must be considered and evaluated in each case.

If there is the slightest doubt with regard to the safety of the rigging and mounting system it may not be put into use.

Ensure that all connections are secured against coming loose and that only authorized, statically tested and correctly sized supports, mounting equipment, wire ropes and chains are used.

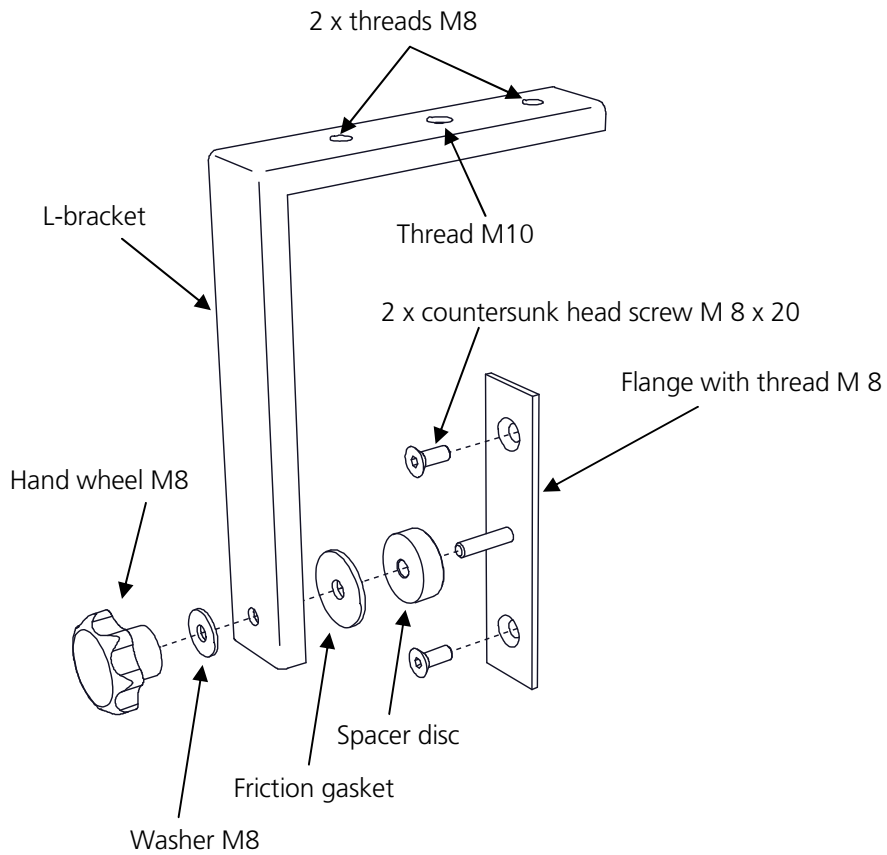
Observe the prescribed safety factors. Follow the safety instructions for speakers and mounting equipment as well as the respective national rules, norms and safety regulations.

The information given here does not exempt the user from his obligation to observe valid safety regulations and legal requirements.

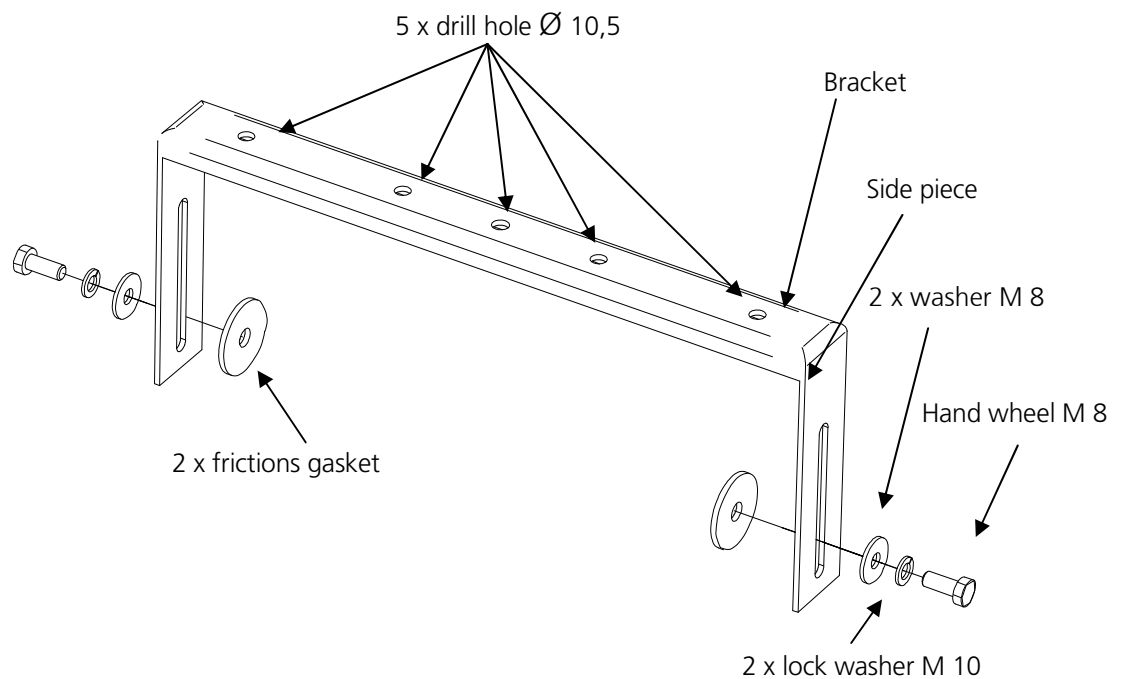


2. Shipped Components and Part Definitions

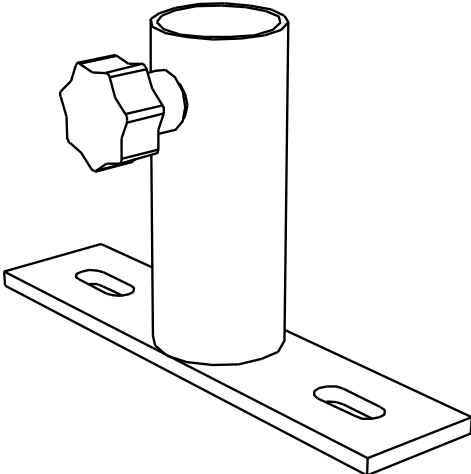
2.1 Adjustable Speaker Mount CA 106



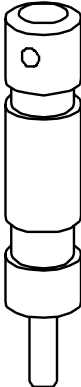
2.2 U-Mount CA 106



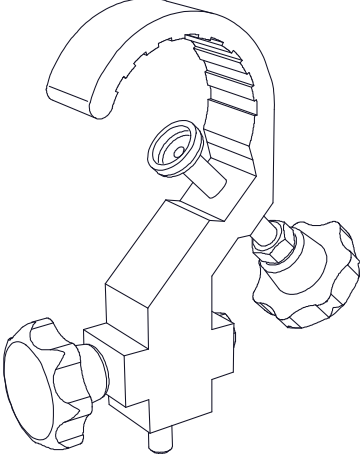
3. Optional available Mounting Equipment



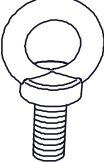
K&F stand adapter



TV spigot 20 mm



Pipe Clamp

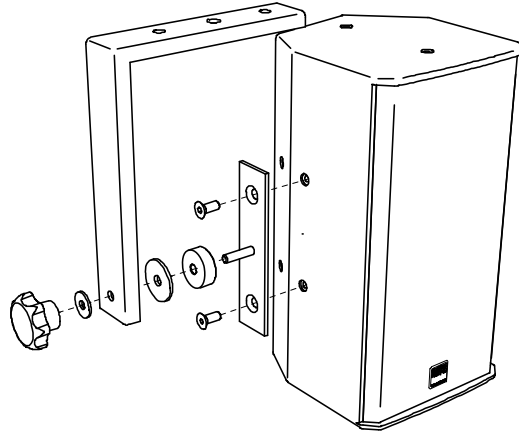


Eyebolt
M8 x 20

4. Installation and Usage Instructions

4.1 Adjustable Speaker Mount

4.1.1 Installation on the Speaker

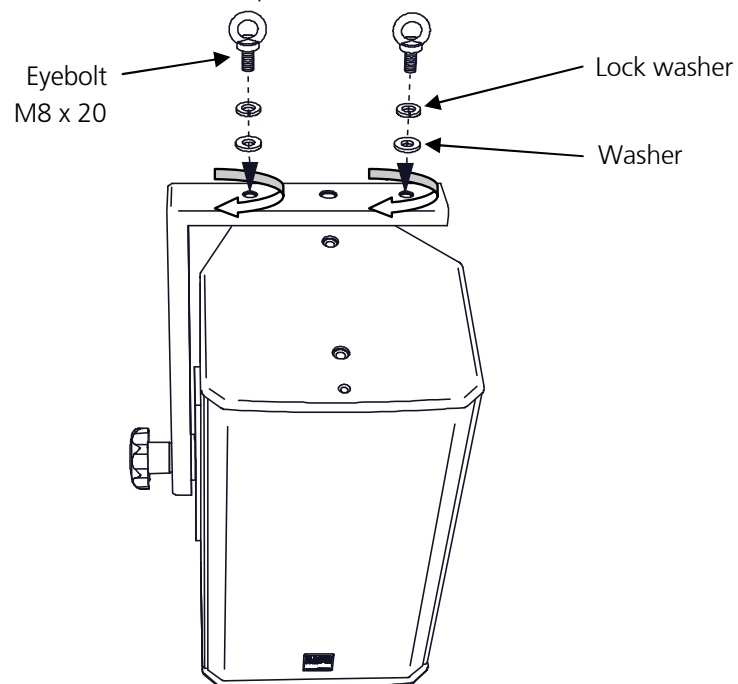


- Mount the Adjustable Speaker Mount as shown above
- Make sure that all screwed connections are tightened securely. The two M8 countersunk head screws must be tightened with a torque of 9 Nm.
- The two hand wheels must be screwed on tightly by hand after adjusting the position of the speaker!

4.1.2 Suspending the Speaker Mount with Eyebolts

You can mount the adjustable speaker mount with at least two eyebolts M8 x 20 using permissible and separate lifting accessories which are sufficiently sized.

- Fasten the eyebolts including the washer and lock washer tightly to the threads of the bracket. Be aware that the safety effect of the lock washer decreases after several uses; it should, therefore, be replaced after five uses.



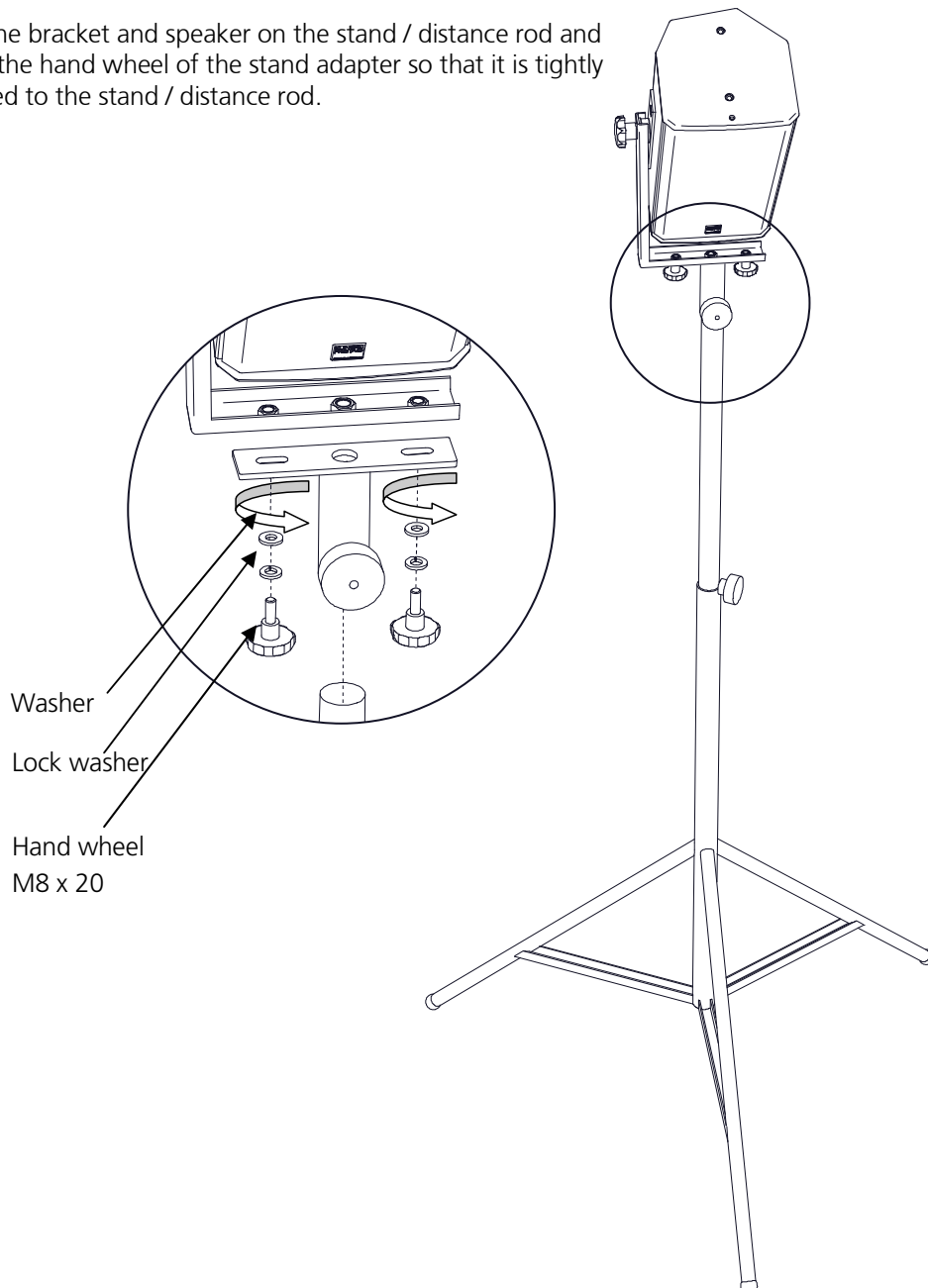
4.1.3 Installation and Use of the K&F Stand Adapter

You can use the adjustable speaker mount with the optionally available stand adapter in order to attach the bracket to a stand or a distance rod with a minimum diameter of 35 mm.

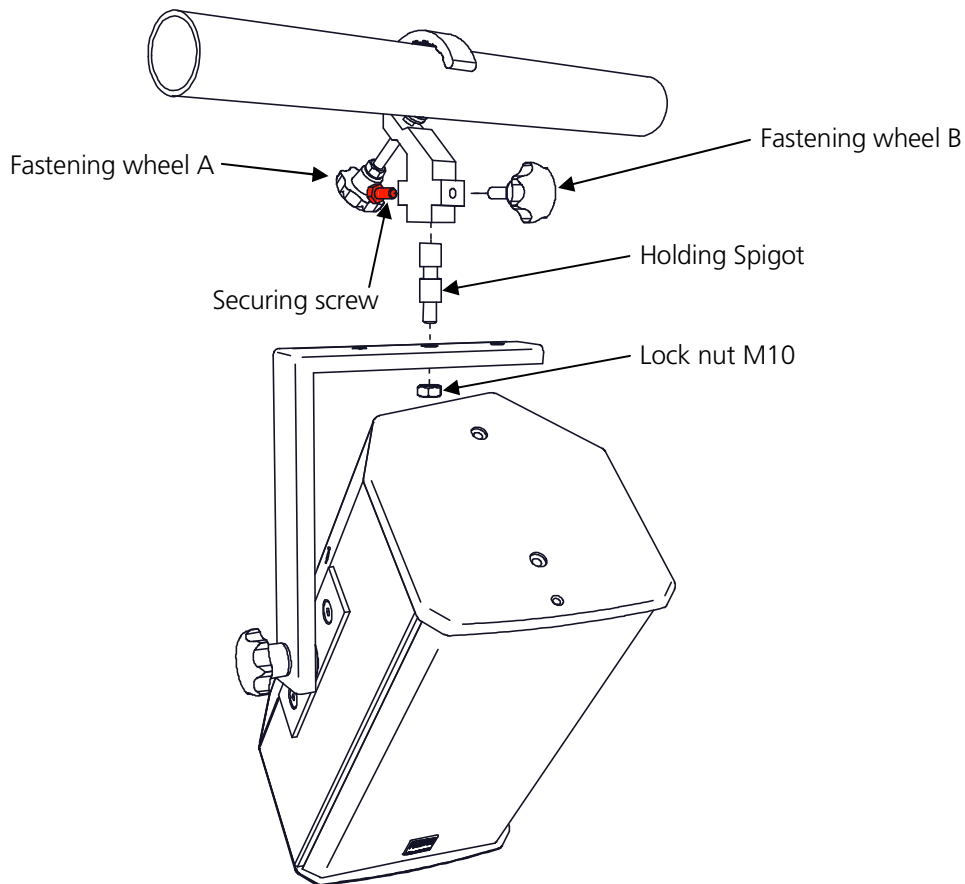
The stability of speaker systems mounted on stands and distance rods is contingent upon the following stability requirement. These conditions must, therefore, be guaranteed by the user:

Stacked systems may not fall over even if they are inclined by 10° in each direction. If this requirement is not fulfilled, then it is necessary to take steps to achieve compliance. Possible measures include strapping it to an appropriate base structure or fastening it using safety straps.

- Fasten the stand adapter using K&F hand wheels M8 incl. washers and lock washers or alternatively with bolts M8 x 20 incl. washers and lock washers, as shown in illustration.
- Mount the speaker on the bracket, chapter 4.1.1, Installation on the Speaker
- Place the bracket and speaker on the stand / distance rod and fasten the hand wheel of the stand adapter so that it is tightly attached to the stand / distance rod.



4.1.4 Installation and Use of the Pipe Clamp



- Screw the holding spigot into the M 10 thread of the bracket. Secure the spigot against coming loose with the lock nut M10.
- Push the Pipe clamp as far as it will go over the spigot and secure it with the securing screw. The securing screw grips into the gap of the holding spigot and prevents the spigot from releasing itself. The spigot can still be turned with the securing screw in place in order to align the speaker.
- Mount the Pipe clamp and the installed bracket/speaker on a tube with a diameter between min. 30 mm and max. 50 mm.

When installing, take measures to prevent falling of the speaker and ensure that nobody is under the range of a potential fall.

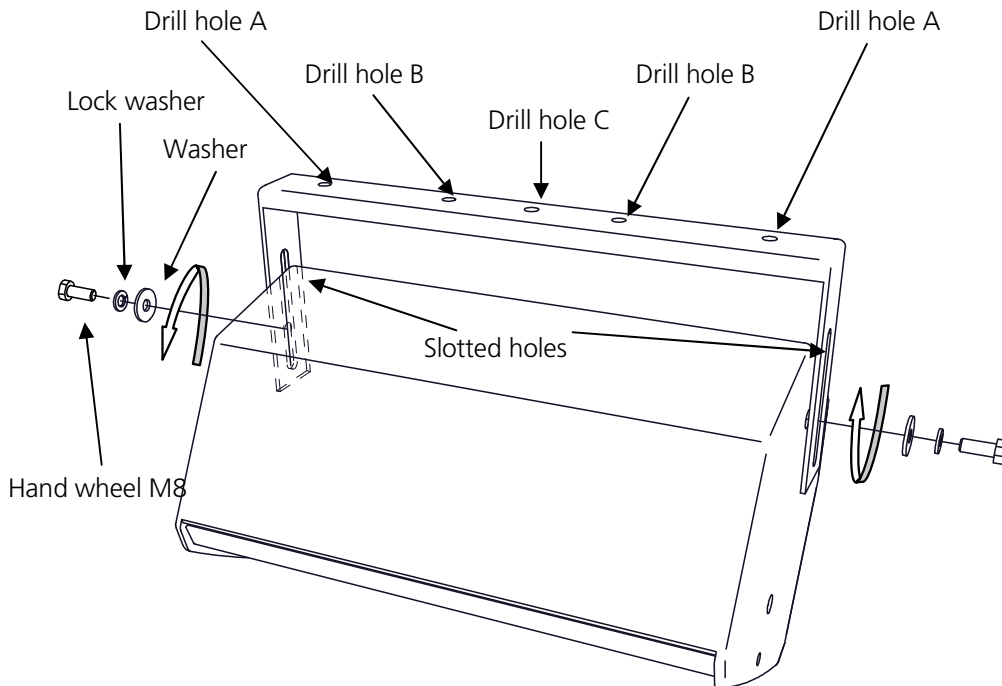
- Adjust the speaker as desired. The holding spigot may only be loaded in the vertical axis.
- Tightly screw both hand wheels of the Pipe clamp when setting the speaker.
- Secure the speaker with a second independent mechanism to prevent falling (safety wire rope).
- The safety instructions of the equipment carrier and the utilised fastening material must be read carefully regarding the use and load capacity!

You may also use a 'TV-spigot' instead of the holding spigot in combination with the Pipe clamp for applications like this.



4.2 U-Mount CA 106

- Fasten U-mount to speaker using bolts M 8 incl. washers and lock washers as shown in illustration. Do not tighten the bolts all the way for the time being.
- Adjust the speaker as desired. With the slotted holes you can adjust the speaker by optimally using the given space.
- Tighten the bolts.
- Always secure all screwed connections so that they cannot loosen on their own.



- When mounting directly on the wall or ceiling, use at least both **drill holes A**. Follow instructions in Chapter 5, Instructions for Ceiling and Wall Installation!
- A stand adapter can be mounted at the **drill holes B** using bolts and nuts. Always secure all screwed connections so that they cannot loosen on their own.
- A TV-spigot can be attached to **drill hole C** of the bracket using a self-locking nuts incl. a washer.



5. Instructions for Ceiling and Wall Installation



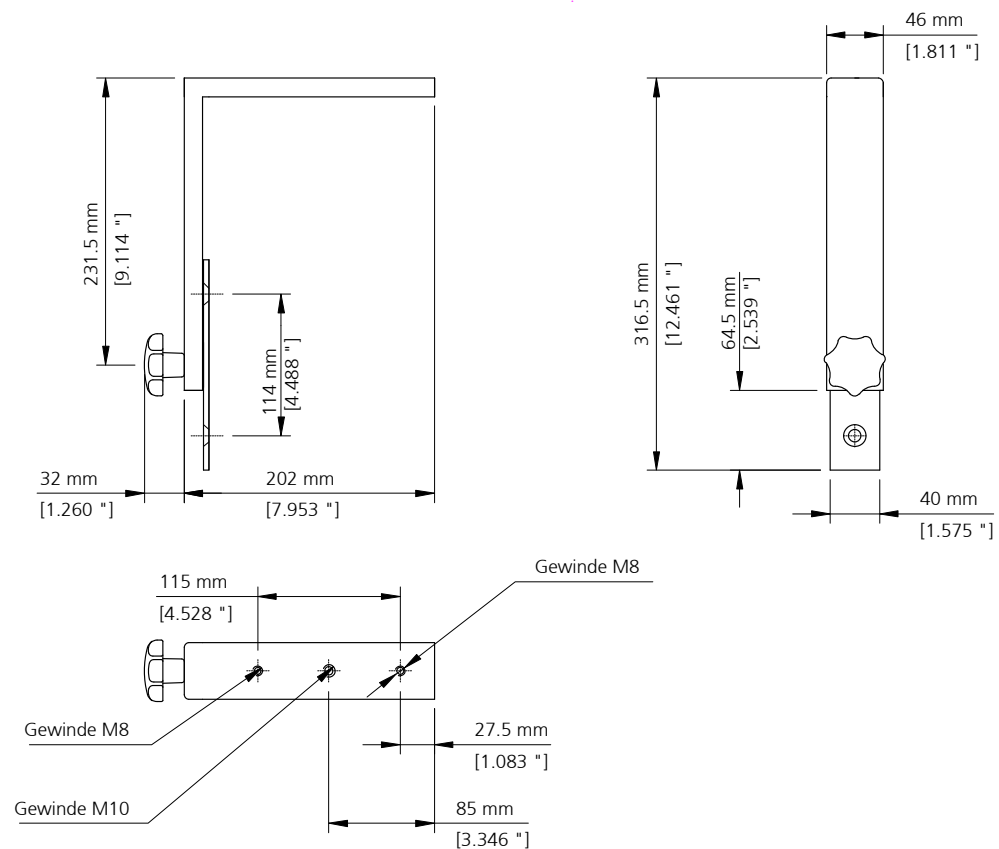
Before carrying through ceiling and wall installations, it is essential to consider the load capacity of walls, ceilings and panelling as well as the stability and type of the construction. If there is wall panelling, for example, it is then necessary to examine the solidity of the wall and use the appropriate wall plugs.

When installing on ceilings and walls, only the mounting drill holes which are specified in the manual may be used.

Make sure to comply with the stipulated tightening torques.

6. Basic Dimensions, Weights and Load Capacity

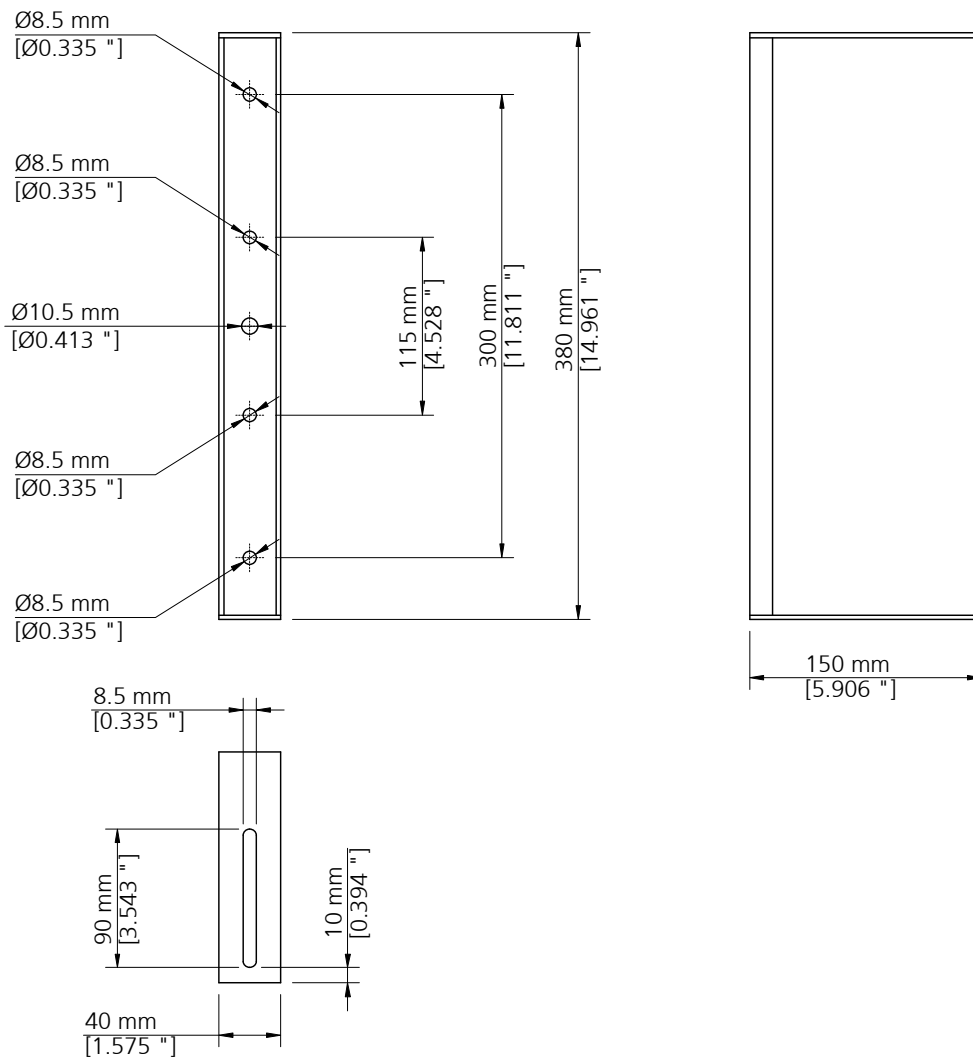
6.1 Adjustable Speaker Mount CA 106



Weight: 1.0 kg

Safe Working Load (SWL): 9 kg

6.2 U-Mount CA 106



Weight: 0,8 kg

Save Working Load (SWL): 9 kg