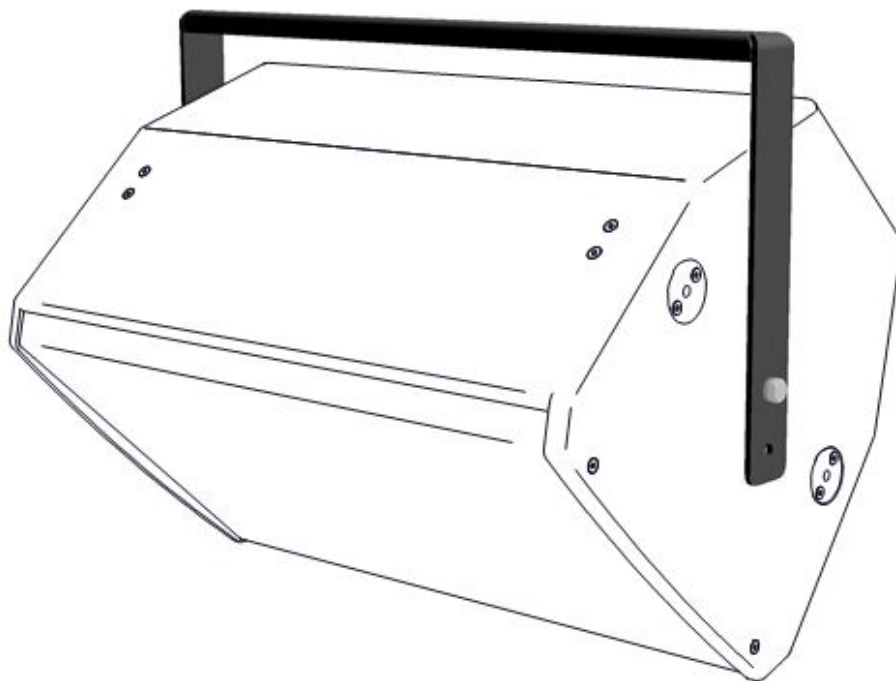


# Ceiling Bracket CA 1201, CA 1215, CA 1515



## User's Manual

Version 3.0  
Released: 29.04.2015



**Important Information,  
Please Read Before Use!**

KLING & FREITAG GmbH  
Junkersstraße 14  
D-30179 Hannover  
TEL +49 (0) 511 96 99 70  
FAX +49 (0) 511 67 37 94  
[www.kling-freitag.de](http://www.kling-freitag.de)





---

## Table of contents

---

|          |  |           |
|----------|--|-----------|
| <b>1</b> | <b>Introduction</b>                          | <b>4</b>  |
| 1.1      | Symbols in User's Manual                     | 4         |
| 1.2      | Information about this User's Manual         | 4         |
| <b>2</b> | <b>Product Description</b>                   | <b>5</b>  |
| 2.1      | Scope of Delivery                            | 5         |
| 2.2      | Overview of Components                       | 5         |
| <b>3</b> | <b>Safety Instructions</b>                   | <b>6</b>  |
| 3.1      | Notes on wall and ceiling assembly           | 7         |
| 3.2      | Intended Use                                 | 7         |
| <b>4</b> | <b>Installation and Usage Instructions</b>   | <b>8</b>  |
| <b>5</b> | <b>Using the Assembly Material</b>           | <b>9</b>  |
| <b>6</b> | <b>Transport and Storage</b>                 | <b>11</b> |
| <b>7</b> | <b>Maintenance and Care</b>                  | <b>11</b> |
| <b>8</b> | <b>Disposal</b>                              | <b>11</b> |
| <b>9</b> | <b>Dimensions and Weight</b>                 | <b>12</b> |
| 9.1      | U-Mount 'Installation' for CA 1201 / CA 1215 | 12        |
| 9.2      | U-Mount 'Installation' for CA 1515           | 12        |

---

## 1. Introduction

Thank you for your decision to buy a KLING & FREITAG product. To guarantee a trouble-free operating of the equipment and to allow your KLING & FREITAG loudspeaker system to achieve its full potential please read the operating instructions carefully before use. With the purchase, you have acquired a large sound system with the highest possible quality and performance capabilities. As the owner of a KLING & FREITAG speaker system, you now have a very versatile and professional tool at hand, which will meet the full spectrum of highest demands on sound quality.

### 1.1 Symbols in User's Manual



Warning

This symbol indicates the possibility of life-threatening danger and a health risk for persons. Not following these instructions may result in serious health problems including potentially fatal injuries.



Caution

This symbol indicates a possibly dangerous situation. Not following these instructions may cause minor injuries or cause property damage.



Notice

This symbol gives instructions for the proper use of the described products. Not following these instructions may cause malfunctions or property damage.



Tip

This symbol indicates notes that help you to handle the described products easier.

### 1.2 Information about this User's Manual

User's Manual for U-Mount CA 1201, CA 1215, CA 1515,

© Kling & Freitag GmbH, 2015; all rights reserved.

All specifications in this manual are based on information available at the time of publishing for the features and safety guidelines of the described products.

Technical specifications, measurements, weights and properties are not guaranteed.

The manufacturer reserves the right to make product alterations within legal provisions as well as changes to improve product quality.

**All persons who use the speaker system must have this guide and all further information for safe operations available to them during assembly, disassembly, and use. The speaker system may neither be set up nor used until this manual has been read, understood and kept readily available on site.**

We appreciate any input with suggestions and improvements for this manual. Please send this to us at the following address:

info@kling-freitag.de or to:

KLING & FREITAG GMBH, Junkersstr.14, D-30179 Hannover,

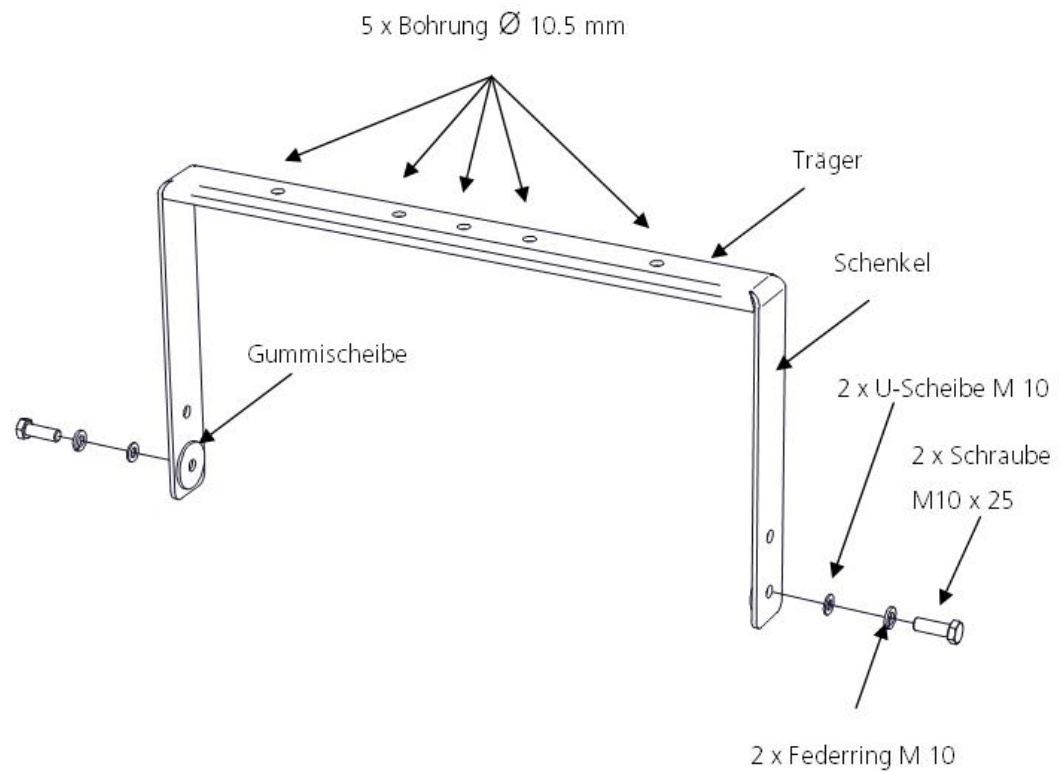
Phone +49 (0) 511 - 96 99 70, Fax +49 (0) 511 - 67 37 94

## 2. Product Description

### 2.1 Scope of Delivery

- Ceiling Bracket CA 1201, CA 1215, CA 1515
- User's Manual (1x)

### 2.2 Overview of Components



### 3. Safety Instructions



Warning

**The rigging system may only be suspended by trained personnel with proof of their qualifications.**

The speaker bracket is intended exclusively for professional use and only for the suspension of Kling & Freitag speakers types CA 1201, CA 1215 and CA1515, and it may only be used in the specified manner, in the areas of trade fairs, theatres, studios and events, etc. in accordance with BGV C1/BGI 810-3 or comparable national standards.

In general, rigging systems must undergo a visual inspection each time they are packed and unpacked. For fixed installations, rigging systems must be checked at regular intervals for signs of wear.

In addition, an inspection log book for the rigging system used should be created and carefully updated. This inspection log book shall be updated with the inspection steps, test intervals and parts lists.

If any uncertainties or defects are detected from the inspection, the rigging system may not be used.

The inspection shall focus particularly on deformation, cracks, damage to threads and corrosion. Even slings, such as shackles, chains and steel cables are to be thoroughly checked for wear or deformation.

All damaged components must be replaced immediately. You must not repair the speaker bracket yourself! If a rigging system is damaged, it should be disposed of immediately. Return defective speaker brackets to Kling & Freitag GmbH or send them to a professional scrap recycling facility. In any case, make sure that it can no longer be used following disposal.

**For installation purposes, only original parts supplied by Kling & Freitag may be used. The use of other parts - in particular parts by other manufacturers - is not permitted.**

**Please follow the installation instructions on page 8.**

Comply with the maximum permissible load capacity of the speaker bracket.

Thus, mount a maximum of one speaker to the designated speaker bracket, including rigging material.

The speaker bracket may not be used to lift and secure people or objects other than the speakers listed above.

Please also read the operating and safety instructions for the product on which the speaker bracket is to be suspended (e.g. crossbeam). The rigging system may not be suspended on it if there is no information about the safe use and permissible load. Ensure that the fixing points on the hall ceiling (e.g. chain hoist) comply with the accident prevention regulation BGV C1 (Event and Production Sites for Stage Presentations) or the comparable applicable national safety regulations, and that the total load is approved by TÜV or equivalent body. In case of doubt, have this checked by a local authority.

The individuals involved in the installation of the rigging system on site are responsible for the safe construction and safe use of the system, and they guarantee this.

This manual and all other information that is necessary for safe operation must be distributed to all individuals who use the rigging systems. A system may not be set up or used without these instructions having first been read, understood and kept close to hand.

When working with chain hoists, there should be no individuals in the area below or near the speaker array.

Only personnel directly involved with assembly or disassembly may be in the working area. A clear signal must be given each time before the system is raised, lowered or released from its rigging. All persons must then remove themselves from the radius of movement.

Safe use of a rigging system also depends on different given factors the area of use. Weather conditions such as wind or rain, for example, could affect the safety of the system. These factors must be considered and evaluated in each case.

**If there is even the slightest doubt as to the safety of the rigging system, it must not be used.**

Make sure that all connections are secured against coming loose and that only permitted, statically tested and correctly sized supports, slings, cables and chains are used.

Follow the relevant specified safety factors. You must also follow the national regulations, standards and safety regulations.

The information provided here does not exempt the user from the obligation to follow given safety requirements and regulations.

### 3.1 Notes on wall and ceiling assembly



Warning

For ceiling and wall mounting, the load capacity of walls, ceilings and panelling, as well as the strength and type are to be considered in each case. With wall panelling, for example, suitable anchors are to be used and the strength guaranteed.

For mounting on ceilings and walls, only the mounting holes that are specified in the operating manuals may be used.

Make sure to comply with the stipulated tightening torques.

### 3.2 Intended Use



Warning

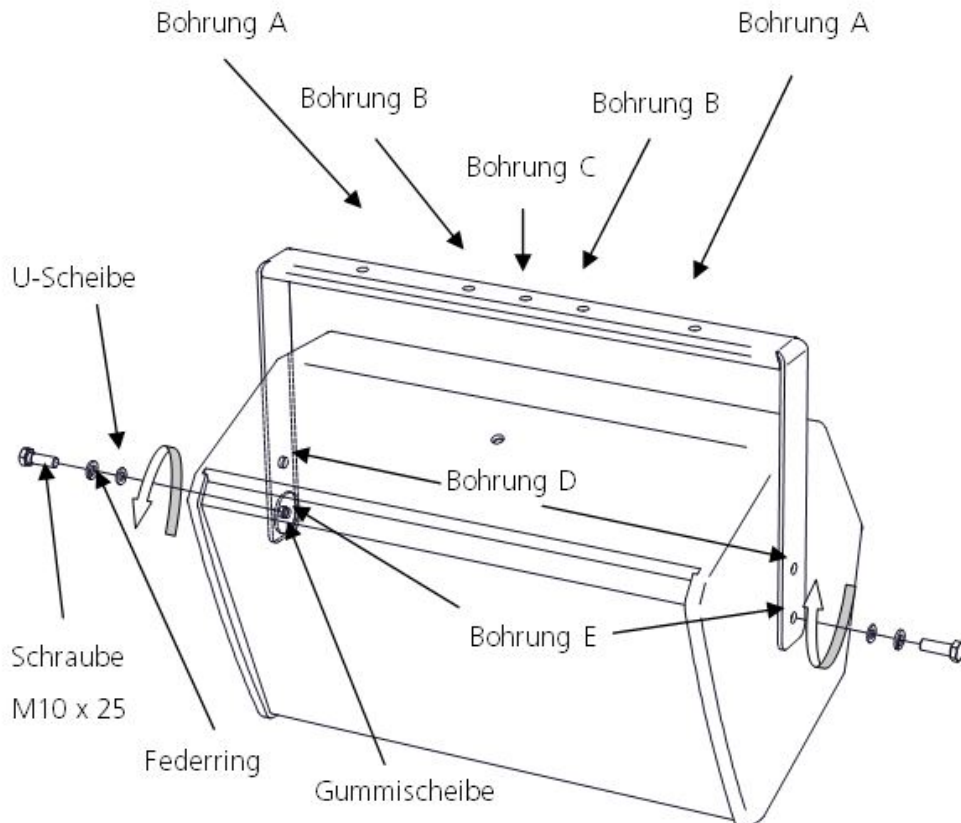
The mounting bracket is exclusively for professional use and may only be used with speaker CA 1201, CA 1215, CA 1515 in the manner specified here.

The Lautsprecherbügel may not be used to lift and secure people or objects other than the above-mentioned speaker systems.

The Mounting Bracket CA 1201, CA 1215, CA 1515 is protected from temporary climatic conditions. For long-term use, however, it is designed to be used indoors only.

## 4. Installation and Usage Instructions

1. Put the rubber friction gasket between speaker and U-Mount.
2. Fasten U-Mount to speaker using bolts M10 x 25 incl. washers and lock washers as shown in illustration. Do not tighten the bolts all the way for the time being.
3. Adjust the speaker as desired.
4. Tighten the bolts.
5. Always secure all screwed connections so that they cannot loosen on their own.







Warning

- When mounting directly on the wall or ceiling, use at least both drill holes A. Follow instructions in chapter 4, Instructions for Ceiling and Wall Installation! Follow instructions in chapter 4, Instructions for Ceiling and Wall Installation! 7
- A stand adapter can be mounted at the **drill holes B** using bolts and nuts Always secure all screwed connections so that they cannot loosen on their own.
- On **drill hole C** of the support, 20mm TV spigots may be secured by means of self-locking nuts including washers.
- Alternatively, in small spaces (e.g. low ceiling height), the **bore holes D** can also be used for mounting to the speaker.
- Vertical mounting of this speaker bracket is prohibited.
- This speaker bracket is designed for **horizontal** mounting only. For vertical mounting, you need the "K&F adjustable speaker mount CA 1201, CA 1215, CA 1515".



## 5. Using the Assembly Material

You can furnish the adjustable speaker mount with assembly material such as TV-spigots, pole mount adapters or eye bolts.

When using a TV-spigot, stick the threaded bolt of the spigot through the 15 mm opening in the middle of the adjustable speaker mount and screw this tight using a self-tightening nut. Make sure that the nut is screwed to the speaker bracket with a tightness which still enables the TV spigot to be turned by hand.

If you would like to furnish the adjustable speaker mount with eye bolts for so-called "flying" mounting, screw both eye bolts into the appropriate M8 tapped hole in the adjustable speaker mount along with a washer and spring lock washer.

Please make sure you follow the safety directions provided by your equipment carrier and for the mounting material used specific to use and load capability!



Warning

- Secure all screws on the adjustable speaker against loosening with self-tightening nuts, lock washers, spring lock washers etc.
- When being operated by people, always use two fastening points of the speaker bracket.
- Create the two mounts independent of each other and with a maximum possible drop distance of just 20 cm or less.

- Do not replace the fuse on the speaker bracket with a fuse from a contact point of the speaker.

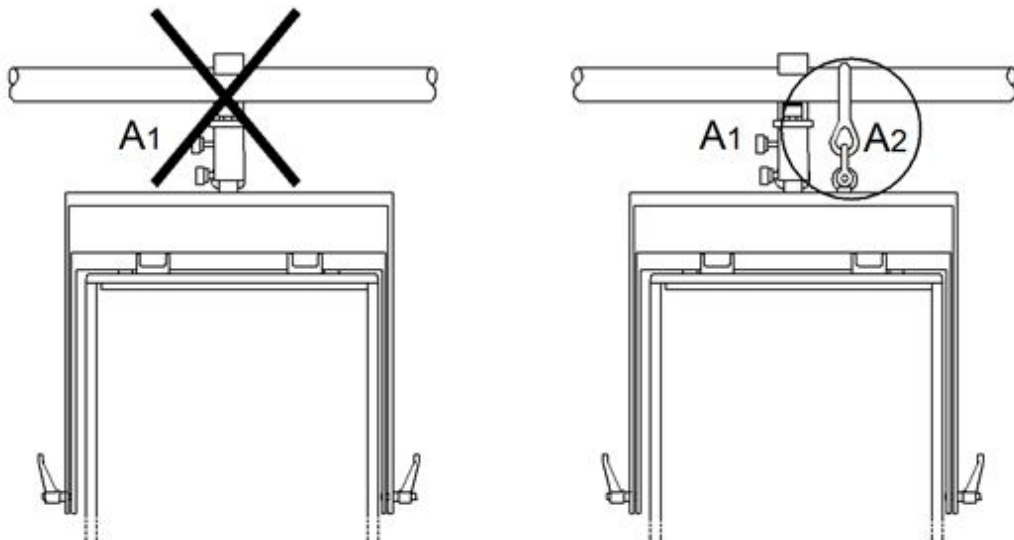
Permitted safety dimensioning:

| Cable diameter (mm)<br>according to cable class<br>6x19 M with nominal<br>strength 1770 N / mm <sup>2</sup> | maximum mass to be secured with safety cable at the<br>maximum drop height of 20cm |                           |
|---|--|---------------------------|
|   | Cable length 0.6 m   | Cable length 1 m          |
| 6   | not suitable   | 36 kg (only with CA 1201) |
| 8   | 40 kg (only with CA<br>1201 and CA 1215)   | 64 KG                     |
| 10  | 62 kg  | 100 kg                    |

A1 and A2 = 2 required hold points, outer bracket to crossbeam connection.

If there is no **safety element** (A2) with a safety cable C2, for example, the requirement for two fittings which act independently against falling has **not** been fulfilled!

Schematic diagram:



## 6. Transport and Storage

This speaker accessory is protected against short term moisture. The accessories has to be stored, transported and used in a dry enviroment. This speaker accessory is not designed for long-term use in a corrosive environment.

Make sure that the system is adequately ventilated during longer storage periods so that possible residual moisture can escape from the equipment.

Furthermore, you have to ensure that the accessory is protected from mechanical strain to prevent possible damage.

## 7. Maintenance and Care

For the owner and user, it is mandatory to be aware that speaker accessories used to fly or mount the speakers are fundamentally safety-relevant.

For this reason it is absolutely imperative to carry out careful and well-documented maintenance procedures and checks.

Speakers and mounting accessories can with the passage of time begin to show signs of wear and tear due to mechanical strain, transportation damage, corrosion or improper treatment.

As a general rule speakers and mounting accessories should be inspected each time they are packed or unpacked. For fixed installations, you must inspect it for signs of wear at regular intervals.

During these inspections, you must especially look out for deformations, cracks, dents, damage to threads, and corrosion. Mounting devices such as shackles, chains and wire ropes also have to be checked for signs of wear or deformation carefully.

If defects are detected, then the product must be sent to Kling & Freitag GmbH for inspection and, if possible, repair.

**The inspection requirements vary depending on application and country of use. Follow the regulations that are applicable for you. If in doubt, contact local authorities.**

In many countries, regular inspection of mounting components and accessories is required. In most cases (e.g. german BGV C1), an additional annual inspection is required that must be done by a technical expert. Additionally, a detailed inspection carried through by a legally certified or official authority is required every four years.

In this context, it is very important to keep an inspection log book. In this inspection log book, the data for every used accessory is entered at the periodic inspections, making the data available at all times for possible inspections. This book should document maintenance measures and inspection intervals and contain parts lists.

Maintain and clean this speaker accessory on a regular basis with an anti-corrosive, multifunctional oil (e.g. WD-40®).

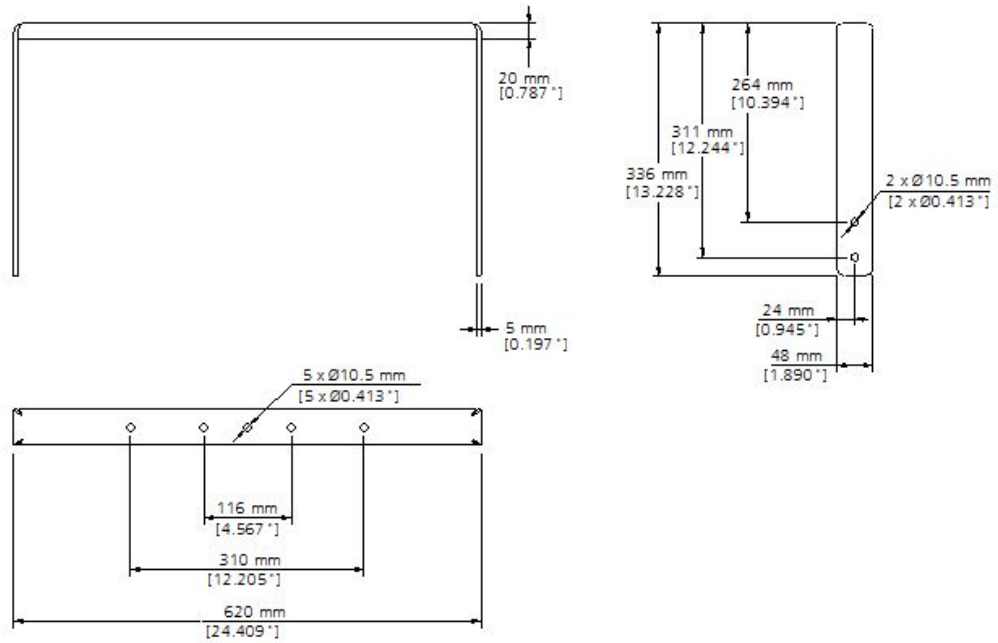
## 8. Disposal

Dispose of this product in compliance with your national regulations.

Ensure that after being disposed of that this product cannot be used again or in any other way.

## 9. Dimensions and Weight

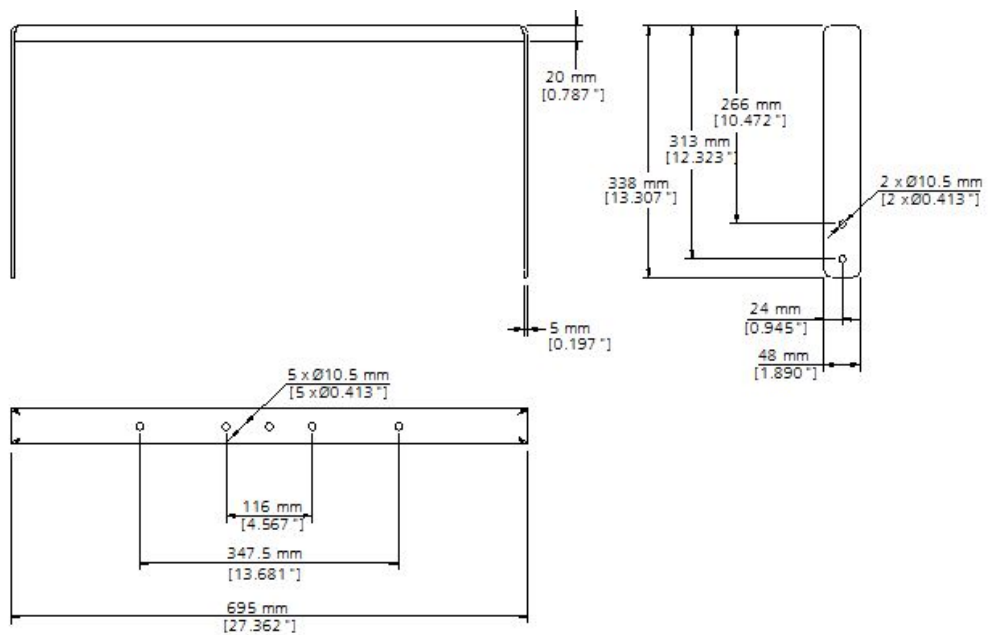
### 9.1 U-Mount 'Installation' for CA 1201 / CA 1215



Self-weight: 3.05 kg

Safe Working Load (SWL): 34 kg

### 9.2 U-Mount 'Installation' for CA 1515



Self-weight: 3.3 kg

Safe Working Load (SWL): 39 kg