

K&F Mounting Bracket PASSIO



User's Manual

Translation of the original instructions

Version 2.3

Released: 19.01.2017



**Important Information,
Please Read Before Use!**

KLING & FREITAG GmbH
Wohlenbergstrasse 5
D-30179 Hannover
TEL +49 (0) 511 96 99 70
FAX +49 (0) 511 67 37 94
www.kling-freitag.de

KLING &
FREITAG

SOUND SYSTEMS

Table of contents

1	Introduction	4
1.1	Icons Used	4
1.2	About these user's manual	4
2	Product Description	5
2.1	Intended Use	5
2.2	Items Included	5
2.3	Components	6
3	Safety Instructions	7
3.1	Mounting the Speakers / Wall and Ceiling Installation	7
3.2	Admissible load capacity	7
4	Installation and Usage Instructions	8
4.1	Mounting	8
5	Dimensions and Weight	9
6	Manufacturer's Declaration	10
7	Care and Maintenance	11
8	Transportation and Storage	11
9	Disposal	11

1. Introduction

Thank you for purchasing a KLING & FREITAG product. To guarantee trouble-free operation and enable the KLING & FREITAG PASSIO speaker system to achieve its full potential, please read these user's manual carefully before use. This item is a quality accessory for the PASSIO speaker system. Combining it with your existing speaker system creates an extremely versatile pro-grade tool that meets all requirements in terms of audio quality and safe installation.

1.1 Icons Used



Warning

This icon indicates a risk of injury or death. Not following these instructions may result in serious health problems including potentially fatal injuries.



Caution

This icon indicates a possibly dangerous situation. Not following these instructions may cause minor injuries or damage.



Notice

This icon marks instructions for proper use of the described products. Not following these instructions may cause malfunctions or damage.



Tip

This icon marks information provided for simplified use of the described products.

1.2 About these user's manual

© KLING & FREITAG GMBH. All rights reserved.

All specifications regarding the features of the described products and applicable safety guidelines provided in these user's manual are based on information available at the time of publishing.

We assume no responsibility for technical specifications, dimensions, weights, and properties.

All information in these user's manual is subject to change without notice.

To ensure safe operation, all persons using the speaker accessories must have access to this guide and all other relevant material during installation. The speaker accessories must not be set up nor operated unless these user's manual has been read, understood and kept readily available on site.

The original language of all KLING & FREITAG user's manuals is German.

If you need user manuals from KLING & FREITAG, you can order a replacement or download it from our www.kling-freitag.de.

Contact:

info@kling-freitag.de

KLING & FREITAG GMBH, Wohlenbergstr. 5, D-30179 Hannover
Telefon +49 (0) 511 96 99 70, Telefax +49 (0) 511 67 37 94

2. Product Description

With the speaker accessory 'K&F Mounting Bracket PASSIO' you can mount a PASSIO loudspeaker easily, visually perfect and securely to almost any wall or ceiling.

Thanks to the compact and flexible bracket design, you can accomplish any useful speaker orientation.

2.1 Intended Use



Warning

The speaker accessory 'K&F Mounting Bracket PASSIO' is solely for commercial use and may only be used with the PASSIO loudspeaker in the manner described here.

The speaker accessory may not be used to lift and secure persons or objects other than the abovementioned PASSIO loudspeaker.

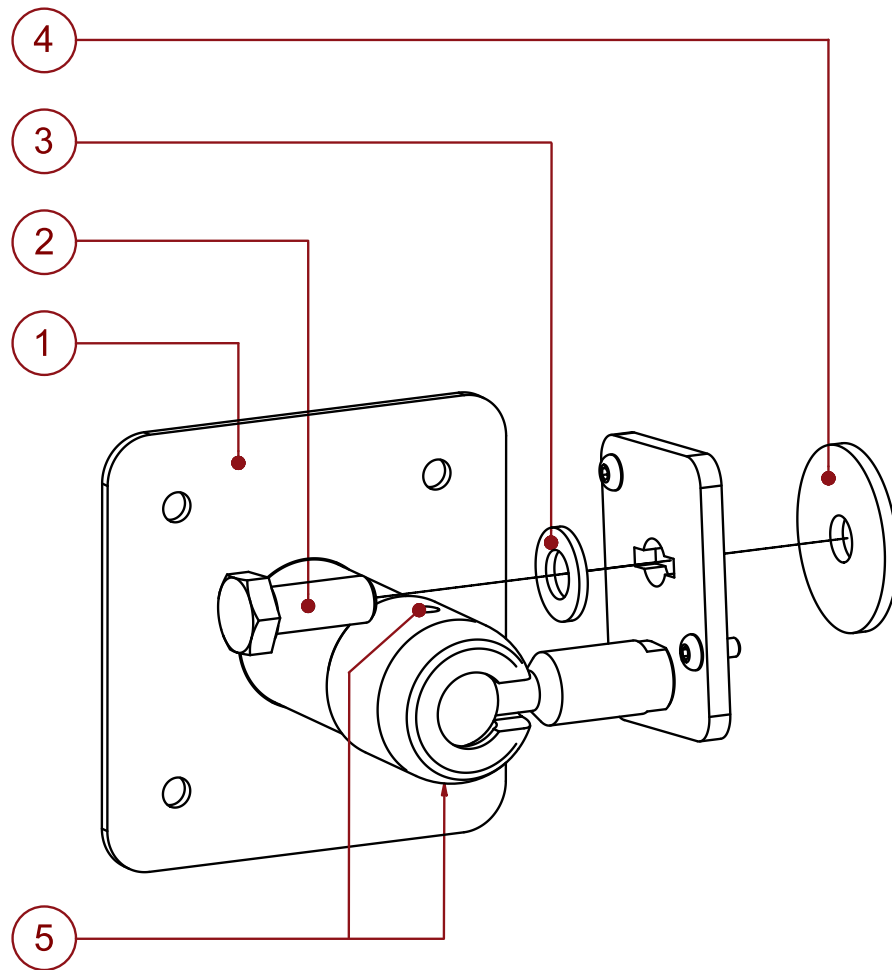
The speaker accessories are protected against the effects of unfavorable temporary weather conditions, etc.; For long-term use, however, it is designed to be used indoors only.

2.2 Items Included

The following is included in delivery:

- (1x) K&F Mounting Bracket PASSIO with ball joint
- (1x) M10 bolt x 25-8.8
- (1x) M10 flat washer
- (1x) neoprene washer
- (1x) User's Manual

2.3 Components



1. K&F Mounting Bracket PASSIO
2. M10 bolt
3. Flat washer
4. Neoprene washer
5. Set screw (2x)

3. Safety Instructions

3.1 Mounting the Speakers / Wall and Ceiling Installation



Warning

Suspended loads pose a safety risk.

Only qualified technicians are permitted to perform the installation steps. Be sure to use personal protective equipment at all times.

The technicians installing the speaker on site are responsible for and guarantee safe setup and use.

Never use signal cables or power cords for suspending, aligning, or securing the systems.

Before installing, check the stability, strength, and materials of walls, ceilings, and boarding. For example, use suitable rawplugs for wall panels and make sure the strength is sufficient.

Note that the suspension points on the hall ceiling (i.e. shackles, attachment points, or chain hoists) must comply with the DGUV regulations 17 and 18 or similar locally applicable accident-control standards. The maximum load must have been certified by an authorized expert.

Be sure to tighten all bolts and screws to the specified torque.

Unless otherwise stated, use only KLING & FREITAG original parts for mounting the speakers. Never use other parts (in particular, parts not made by KLING & FREITAG).

Make sure all fittings used are suitable for the task at hand and meet all relevant safety requirements.

Ensure that all connections are secured against coming loose and that only authorized, statically tested and correctly sized supports, mounting equipment, wire ropes and chains are used.

Be sure to always visually inspect all safety-related speaker and accessory components before use. If there are signs of wear, cracks, or deformation, etc., replace the affected parts immediately. Visual inspection also includes checking all screwed connections of supporting components.

The information described here does not relieve the user of the duty to follow the given safety requirements and legal regulations.

3.2 Admissible load capacity



Warning

The speaker accessory 'K&F Mounting Bracket PASSIO' may only be loaded with one speaker model PASSIO with a maximum weight of 6 kg (BGV C1).

We recommend securing every mounted speaker with a safety element.

Please contact Kling & Freitag if you lose one or more parts of the mounting system. The use of parts by other manufacturers is not permitted and Kling & Freitag will not guarantee for the safety of the system in this case.

4. Installation and Usage Instructions

4.1 Mounting



Caution

Using wrong accessories for the wall or ceiling can result in the loudspeaker falling down. PASSIO-Lautsprecher

Check the stability of the wall or ceiling before mounting the loudspeaker to it. Make sure to use only sufficiently suited mounting material like wall anchors and matching screws.

Only the included M10 bolts may be used for mounting the speakers.

The Mounting Bracket can be rotated and locked on the PASSIO loudspeaker in steps of 90°. The possible adjustment angle between the PASSIO loudspeaker and the wall depends on the mounting position. Find the right position of the Mounting Bracket on the speaker depending on the desired alignment of the speaker.

Before permanently fixing the device, check if it has the optimal position.

1. Place the speaker on a stable support.
2. Check the position in which the Mounting Bracket is best suitable for the later alignment of the PASSIO loudspeaker.
3. Mount the Mounting Bracket (POS.1) with four appropriate screws and wall anchors to the wall.
4. Put the bolt (POS.2) through the washer (POS.3) and then through the mounting plate of the Mounting Bracket.
5. It is mandatory that you insert the Neoprenscheibe as described. Without the Neoprenscheibe you will not be able to fasten the PASSIO loudspeaker sufficiently. Furthermore, a missing Neoprenscheibe can lead to damages on the enclosure. This affects the security of the mounted speaker.



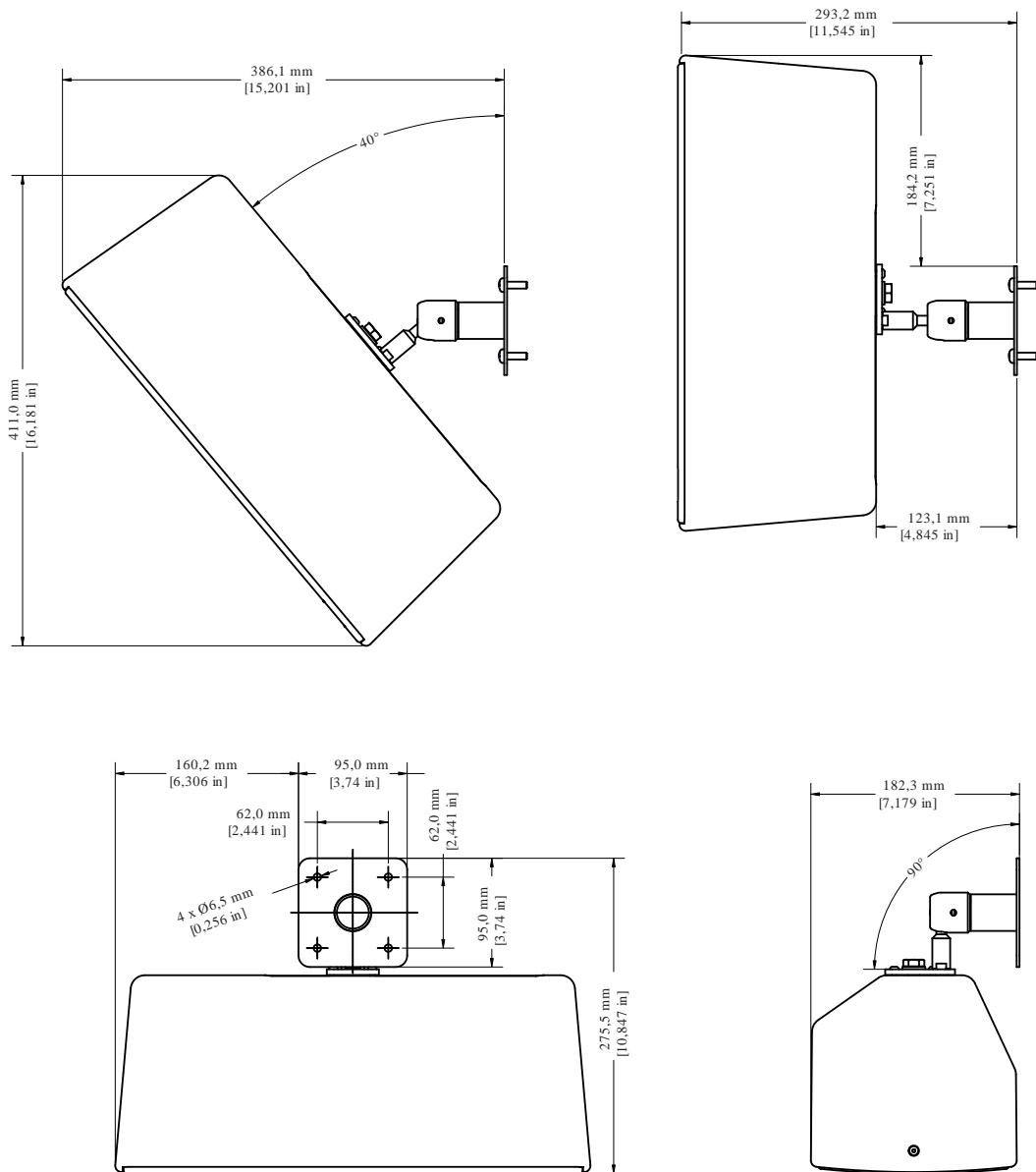
Warning

Place the Neoprenscheibe (POS.4) over the bolt, mount the speaker to it and tighten the M10 bolt.

6. We recommend that you always secure the speaker with a secondary safety device against falling down.
7. Adjust the speaker and lock it in place on the Mounting Bracket using the two set screws (3 mm hexagon socket) (POS.5).
8. Check if the PASSIO loudspeaker is mounted securely to the wall or the ceiling.

5. Dimensions and Weight

Handhold weight (incl. bolts): 0.5 kg 0.6



6. Manufacturer's Declaration

for

Type: Mechanical speaker accessory

Model: K&F Mounting Bracket
PASSIO

System: PASSIO

The following standards have been applied:

- DIN EN ISO 12 100
- DIN EN 18 800
- BGV C1



Hannover, 23.02.2012

Jürgen Freitag (CEO)

7. Care and Maintenance



Warning

The accessory can exhibit signs of wear over the years, i.e. from mechanical strain, corrosion, or improper handling. If speakers are to be flown, this always means there is a high safety hazard. Remember that flying speakers always impose a high safety risk.

Generally, perform a visual inspection of your speaker every time you suspend it or take it down. In fixed installations, check the speaker for signs of wear at regular intervals.

When performing those checks, particularly look for deformations, cracks, dents, damage to threads, and corrosion. Also check slings and lifts (e.g. shackles, chains, and steel ropes) carefully for wear and deformation.

If as a result of these checks any uncertainty should arise with regard to safety or defects are found, don't use the speaker any longer.

Inspection regulations may vary depending on application and country of use. Observe all applicable regulations; when in doubt, contact the local authorities.

Many countries require regular inspection of mounting components and accessories. An additional annual inspection is typically required to be performed by a technical expert. Moreover, a legally certified or official authority must perform a detailed inspection every four years.

Therefore, be sure to maintain an inspection log. Enter the values determined for each speaker and accessory during the periodic checks into this log. This way, relevant data are always at hand in case of inspection. The log should also document maintenance measures and inspection intervals and contain parts lists.

8. Transportation and Storage

The speaker accessory 'K&F Mounting Bracket PASSIO' is protected against short term moisture. Store, transport, and use the accessories in dry environments only. This speaker accessory is not designed for long-term use in a corrosive environment.

Make sure that the system is adequately ventilated during longer storage periods so any residual moisture can escape from the equipment.

9. Disposal

Dispose of this product in compliance with your national regulations.

Ensure that after being disposed of that this product cannot be used again or in any other way.

INDEX

• Care.....	11
• Components.....	6
• Dimensions.....	9
• Disposal.....	11
• Intended Use.....	5
• Items Included.....	5
• Maintenance.....	11
• Manufacturer's Declaration.....	10
• Mounting.....	8
• Product Description.....	5
• Safety Instructions.....	7
• Storage.....	11
• Transportation.....	11
• Weight.....	9