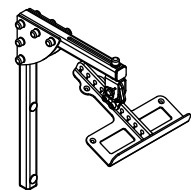
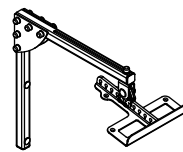


EN | VERSION 1.1 | 06/17/21



USER'S MANUAL

K&F SPECTRA 212i Wall Arm

Table of Content

Chapter / Content	Page
1 Introduction	4
1.1 Icons Used	4
1.2 About this user's manual	4
1.3 Scope of Application	4
2 Product Description	5
2.1 Variants	6
2.2 Intended Use	6
2.3 Items included (L and S versions)	6
2.4 Components	7
2.5 Technical Specifications	8
2.5.1 Overview	8
2.5.2 Wall Arm (L) Dimensions	8
2.5.3 Wall Arm (S) Dimensions	9
2.5.4 Flying Frame Dimensions	10
3 Safety Instructions	11
4 Installation	12
4.1 Required Tools	12
4.2 Preassembling the Speaker	12
4.3 Wall Mounting	12
5 Maintenance	15
6 Transportation and Storage	15
7 Disposal	15

1 Introduction

1.1 Icons Used



This icon indicates a risk of injury or death. Not following these instructions may result in serious health problems including potentially fatal injuries.



This icon indicates a possibly dangerous situation. Not following these instructions may cause minor injuries or damage.



NOTICE

This icon marks instructions for proper use of the described products. Not following these instructions may cause malfunctions or damage.



This icon marks information provided for simplified use of the described products.

1.2 About this user's manual

© KLING & FREITAG GMBH, all rights reserved.

All specifications regarding the features of the described products and applicable safety guidelines provided in this manual are based on information available at the time of publishing.

We assume no responsibility for technical specifications, dimensions, weights, and properties.

All information in this manual is subject to change without notice.

To ensure safe operation, all persons using the product must have access to this manual and all other relevant material during installation. The speaker system may neither be set up nor used until these user's manual has been read, understood and kept readily available in site.

All KLING & FREITAG manuals are originally authored in German.

KLING & FREITAG spare manuals are separately available for order or can be downloaded

Contact Us: info@kling-freitag.de

KLING & FREITAG GMBH, Wohlenbergstr. 5, D-30179 Hannover

Phone +49 (0) 511 96 99 70, fax +49 (0) 511 67 37 94

1.3 Scope of Application

If you have purchased this product together with other accessories, the instructions of those accessories including, but not limited to, mounting-accessory instructions become part of these instructions by reference.

If the wall arm is used in combination with accessories that restrict the use specified in here, those restrictions will apply.

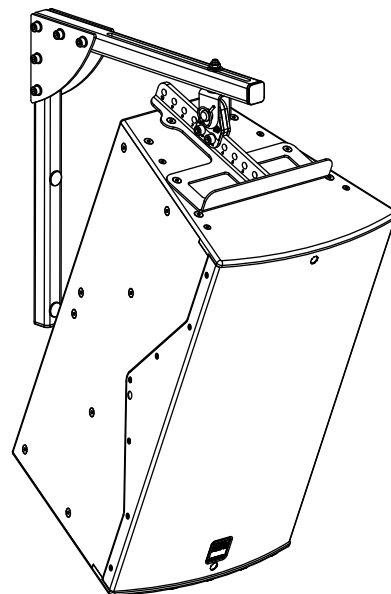
2 Product Description

The wall arm allows for vertical wall installation of 1 K&F SPECTRA 212i speaker or for horizontal wall installation of up to 2 K&F SPECTRA 212i speakers.

The following installation options are available:

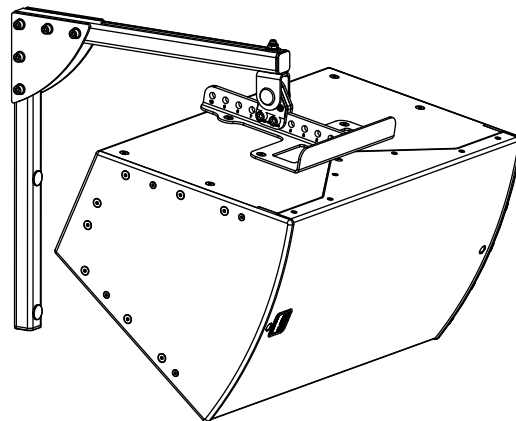
1 speaker

Vertical installation
using the SPECTRA 212i flying
frame:



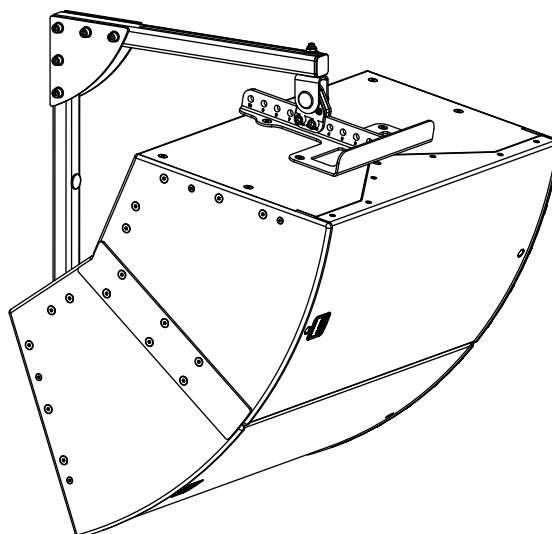
1 speaker

Horizontal installation
using the SPECTRA 212i flying
frame:



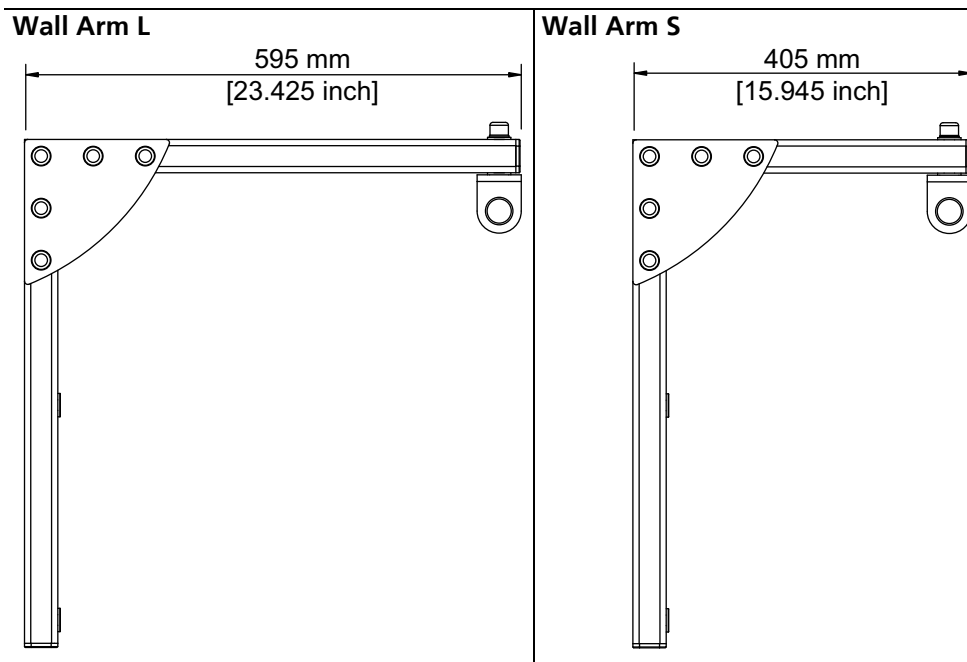
2 speakers

Horizontal installation
using a SPECTRA 212i flying
frame and a cluster plate set
(point source) or connector set
(line source)



2.1 Variants

The wall arm is available with either an S (short) or L (long) boom. The two variants differ in boom length.



Unless explicitly stated, the information in this manual refers to both variants.

2.2 Intended Use

This wall arm is designed exclusively for suspending K&F SPECTRA 212i speakers on a wall. Be sure to achieve plumb vertical installation. Setting up the cluster requires additional accessories. See "The wall arm allows for vertical wall installation of 1 K&F SPECTRA 212i speaker or for horizontal wall installation of up to 2 K&F SPECTRA 212i speakers." on page 5. No other use is permitted.

Also, be sure to use accessories to the SPECTRA 212i speaker system for stationary indoor installations only. The system is not designed for repeated assembly, reconfiguration, disassembly, or transport.

Any use not described in this User's Guide is not an intended use.

Unauthorized changes to the product are not permitted.

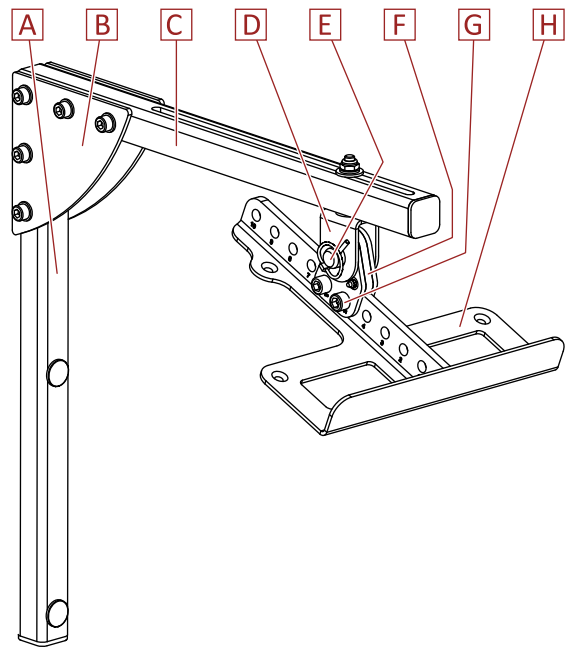
2.3 Items included (L and S versions)

- 1 wall bracket, completely preassembled, with swivel mount
- 1 x SPECTRA 212i flying frame including load adapter install
- 3 x mounting-hole caps
- 1 Wall Arm instruction manual
- 1 Flying Frame instruction manual

(The screws required for mounting the accessories to the speaker are supplied with the speaker.)

2.4 Components

- [A]** Wall arm: wall profile
- [B]** Wall arm: support plate
- [C]** Wall arm: boom
- [D]** Swivel mount
- [E]** Split pin with linch pin
- [F]** Load Adapter Install
- [G]** Screw connection
- [H]** SPECTRA 212i Flying Frame

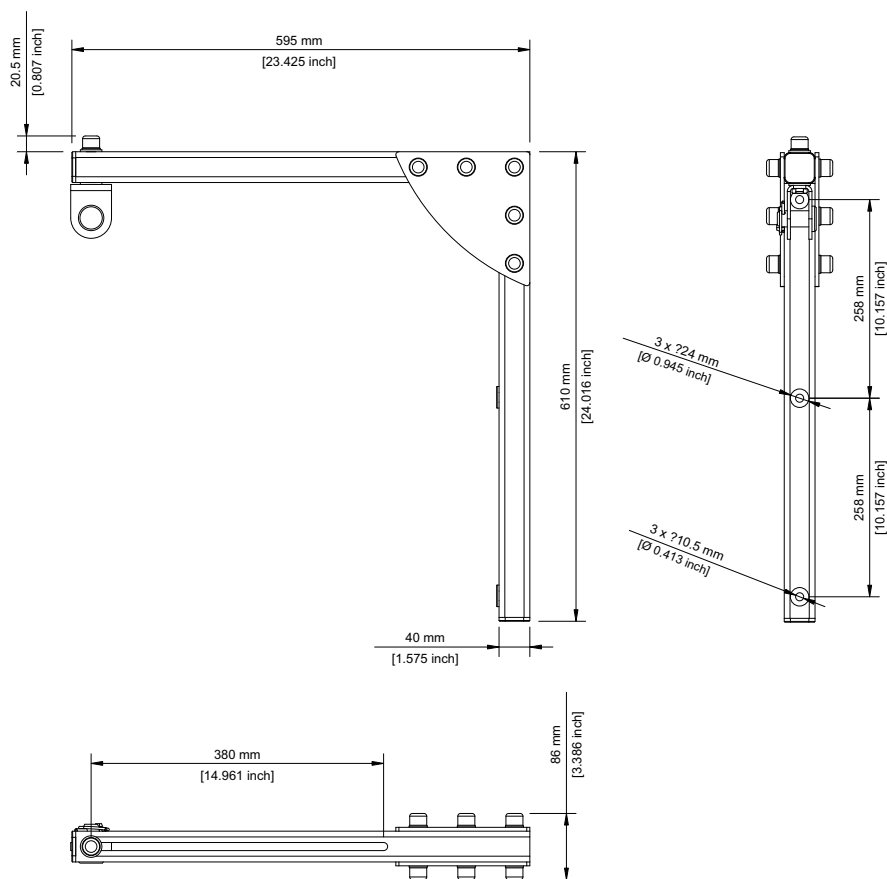


2.5 Technical Specifications

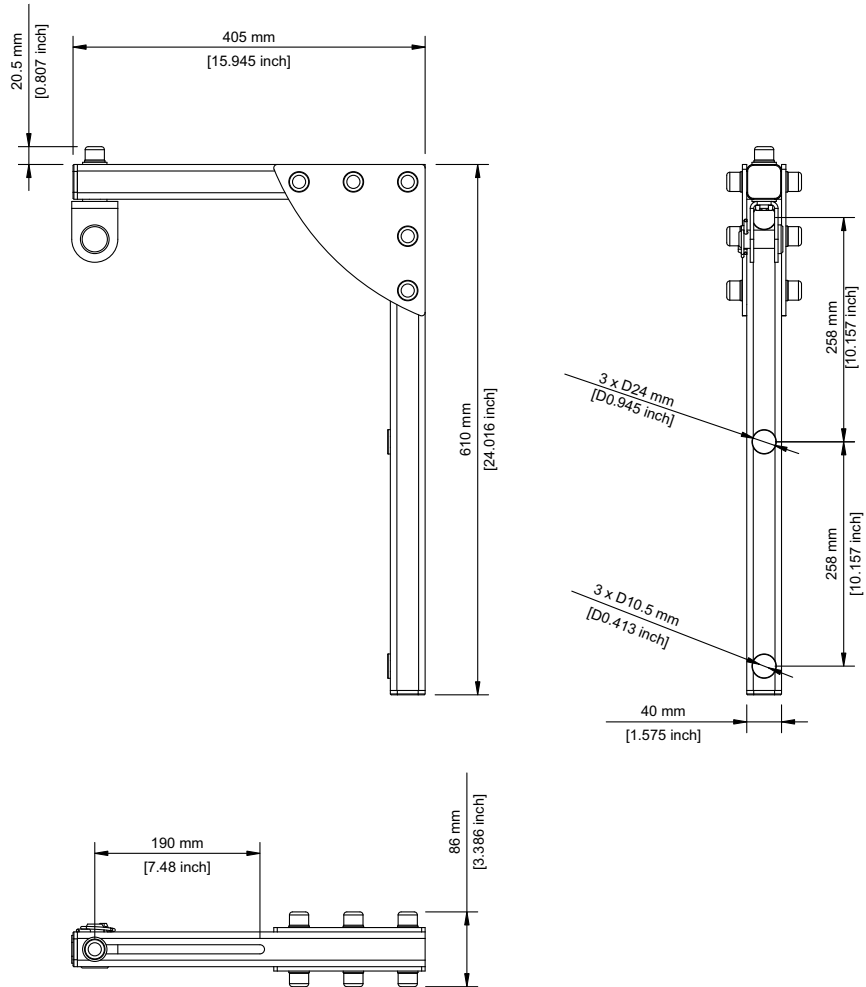
2.5.1 Overview

Load capacity	2 SPECTRA 212i speakers (max.), flying frame, and mounting accessories
Weight	Wall arm (S): 7.1 kg Wall arm (L): 7.9 kg
Colors	RAL 9005 (black), standard RAL 9010 (white), standard RAL spot color, on request

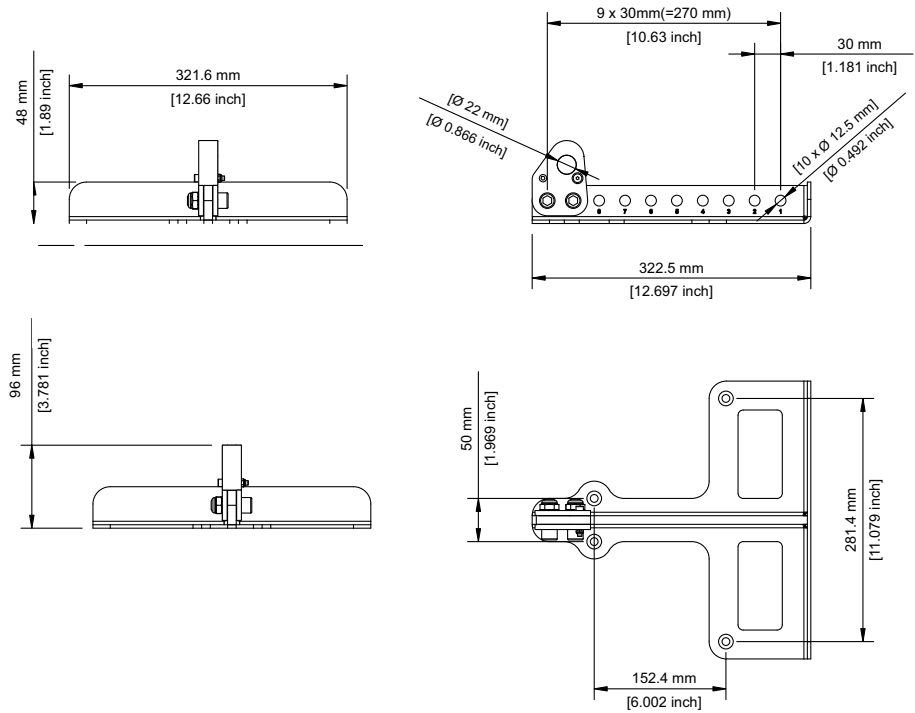
2.5.2 Wall Arm (L) Dimensions



2.5.3 Wall Arm (S) Dimensions



2.5.4 Flying Frame Dimensions



Refer to our website at <http://www.kling-freitag.de> for a detailed dimensional drawing.

3 Safety Instructions

WARNING

Risks imposed by falling or overturning parts

- Be sure to install, suspend, fasten, and use Kling & Freitag speaker accessories only using the designated fixtures as specified in this document.
- Install the item only in a place that poses no risks in operation, for example, by people climbing on the speaker, attaching additional items to the suspension, or placing objects on the speaker.
- Make sure no wind loads or equivalent horizontal loads act upon the speaker and the accessories.
- Not suitable for outdoor use.
- Not designed for use in corrosive environments.
- When mounting on a wall, ensure plumb vertical installation.
- Be sure to use only the screws supplied with the speaker for mounting accessories. The screws are specifically designed for accessory mounting. Be sure to use self-locking screws no more than five times. Using them more often may result in screws loosening in operation. If in doubt, use new screws. Never use other types of screws.
- During installation, be sure to cordon off the installation site to prevent any risks caused by falling parts.
- Be sure to only use original parts supplied. Never use other parts (in particular, parts not made by KLING & FREITAG).
- Make sure all fittings used are suitable for the task at hand and meet all relevant safety requirements.
- Ensure that all connections are secured against coming loose and that only authorized, statically tested and correctly sized supports, mounting equipment, wire ropes and chains are used.
- Be sure to always visually inspect all safety-related speaker and accessory components before use. If there are signs of wear, cracks, or deformation, etc., replace the affected parts immediately. Visual inspection also includes checking all screwed connections of supporting components.
- The information described here does not relieve the user of the duty to follow the given safety requirements and legal regulations.

4 Installation

4.1 Required Tools

Required Tools	Required mounting material
IS5 hexagon socket wrench for mounting the flying frame on the speaker	Suitable wall anchors with corresponding accessories. The wall-anchor screw must not exceed a maximum diameter of 10 mm. Extraction force: 3.3 kN; shear force: 1.2 kN.
IS10 hexagon socket wrench for mounting the load adapter install	
IS8 hexagon socket wrench for mounting the wall bracket.	
SW17 screwdriver or socket wrench	
Depending on your selected type of wall anchor, you might need additional tools.	

4.2 Preassembling the Speaker

Mount the flying frame including the load adapter onto the speaker. For mounting instructions and information on adjusting the desired tilt angle, refer to the SPECTRA 212i Flying Frame instruction manual.

4.3 Wall Mounting

WARNING

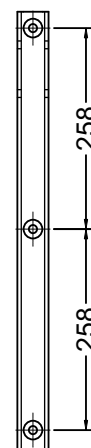
Risks imposed by falling parts

Be sure to use appropriate wall anchors with regard to the wall specifics. Be sure to account for the following extraction and shear forces:

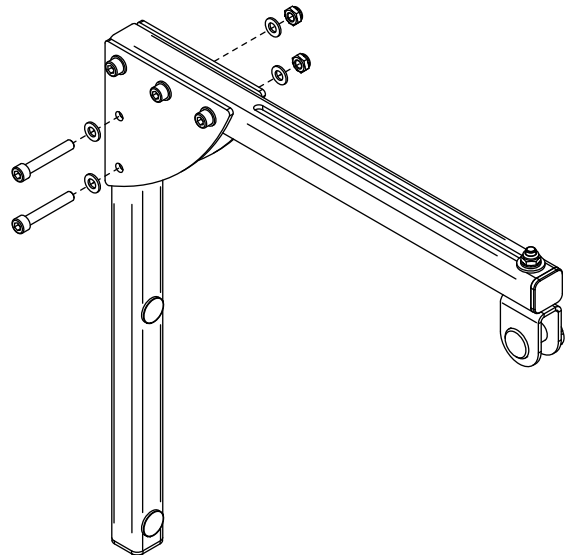
- Extraction force: 3.3 kN
- Shear force: 1.2 kN

The anchors must withstand those forces permanently. The specified values are actual loads; depending on the application at hand and the anchor properties, you may have to consider safety margins.

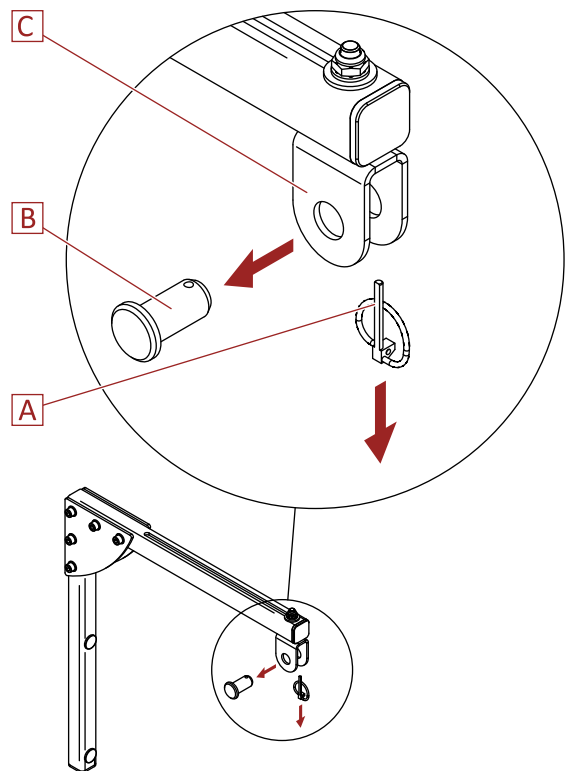
1. Install three wall anchors vertically with 258 mm spacing each.
2. Mount the wall profile to the wall.
3. Cover the three mounting holes with the supplied caps.



4. Screw the boom with the support plates to the wall profile.
5. Hand-tighten all five bolt connections on the support plates.



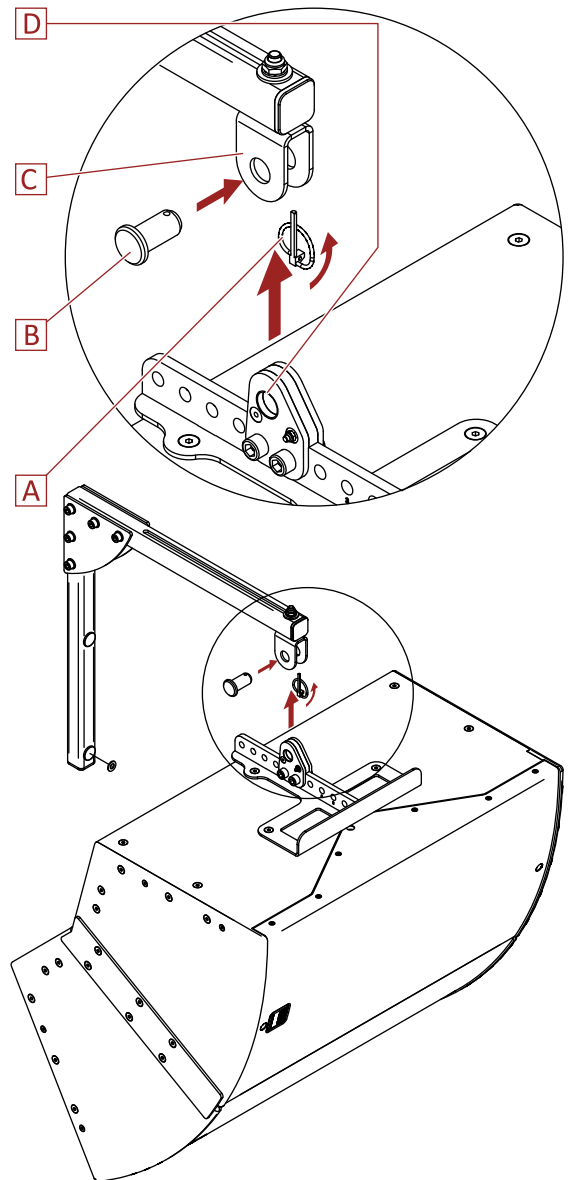
6. Remove the lynch pin **[A]** from the split pin **[B]**.
7. Remove the split pin **[B]** from the swivel mount **[C]**.



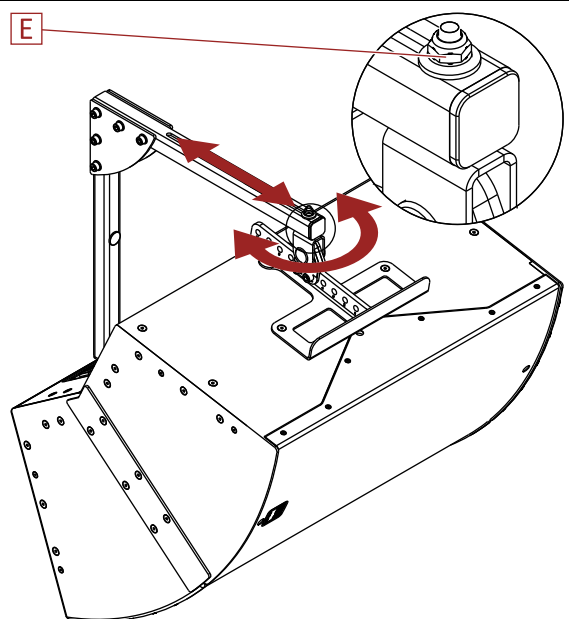


8. Place the speaker unit with the premounted flying frame on a suitable lift.

To facilitate attachment, we recommend using a lift with an accessible platform.
9. Lift the speaker to the required height, then insert the load adapter **[D]** into the swivel mount **[C]**.
10. Slide the split pin **[B]** through the swivel mount **[C]** and the load adapter **[D]**.
11. Secure the split pin using the linch pin **[A]**.
12. Secure the linch pin **[A]** by pulling the ring over the pin.



13. Loosen the nut **[E]** at the top of the wall-arm boom.
14. Move across the slot to adjust the desired wall distance and rotate the speaker unit as desired.
15. Hand-tighten the screw **[E]**.



5 Maintenance

- Perform a visual inspection before each installation.
- Visually inspect the entire setup every six months.
- When performing those checks, particularly look for deformations, cracks, dents, damage to threads, and corrosion. Also check slings and lifts (e.g. shackles, chains, and steel ropes) carefully for wear and deformation.

WARNING

Risks imposed by undetected damages

- The inspection must be carried out by a qualified expert.
- If as a result of these checks any uncertainty should arise with regard to safety or defects are found, don't use the speaker any longer. Contact your retailer.
- Be sure to use self-locking screws no more than five times. Using them more often may result in screws loosening in operation. If in doubt, use new screws. Never use other types of screws.
- All repair work must be performed by Kling & Freitag after evaluation carried out by engineering.
- Many countries require regular inspection of mounting components and accessories. An additional annual inspection is typically required to be performed by a technical expert. Moreover, a legally certified or official authority must perform a detailed inspection every four years.
- Therefore, be sure to maintain an inspection log. Enter the values determined for each speaker and accessory during the periodic checks into this log. This way, relevant data are always at hand in case of inspection. This inspection log book shall be updated with the inspection steps, test intervals and parts lists.
- If necessary, use multifunction oil for care.

6 Transportation and Storage

This product is protected against the effects of temporary humidity and moisture, etc. Nevertheless, be sure to store, transport, and use it in dry

Make sure that the system is adequately ventilated during longer storage periods so any residual moisture can escape from the equipment.

In addition, make sure that the product is protected from mechanical strains in order to prevent damage.

To protect the speaker from the above impacts, we recommend using suitable transport and storage equipment.

7 Disposal

Dispose of this product according to local ordinance regulations.



**THANK
YOU** FOR
CHOOSING
K&F.



KLING & FREITAG GmbH

Wohlenbergstrasse 5 · D-30179 Hannover

Phone +49 (0)511 969970

www.kling-freitag.de · info@kling-freitag.de