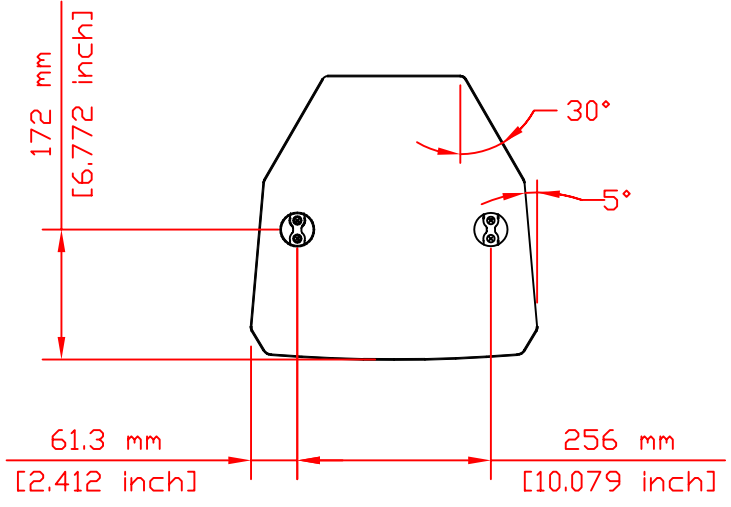
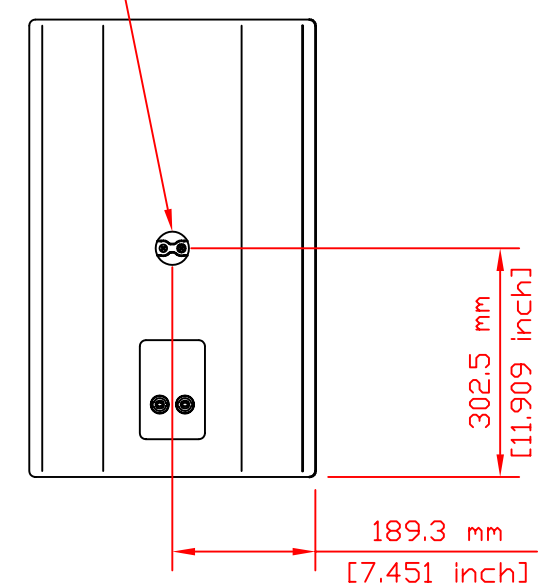
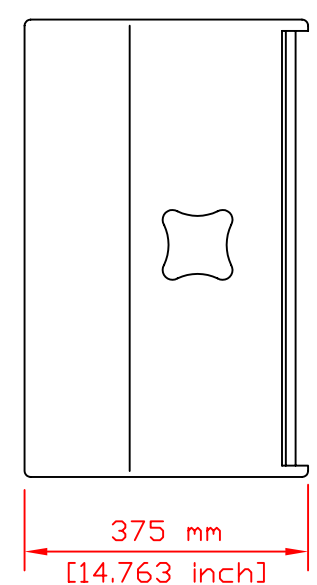
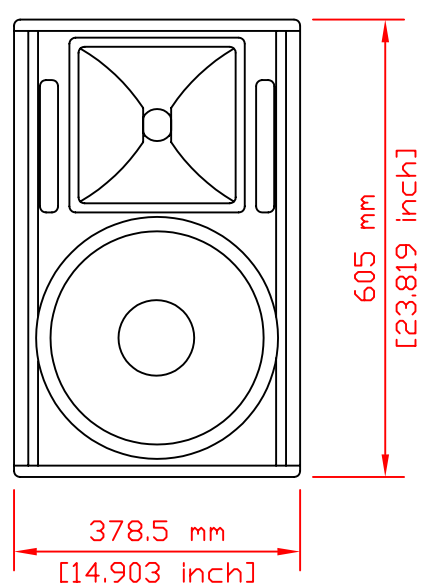


Rigging Points  
 ANCRA Jungfalk  
 120030-31



Weight 31 kg / 68.4 lbs	Catalog No.	Filename KF_CA_1215_6.pdf	Date 20.12.2002	NOT TO SCALE
Kling & Freitag GmbH junktorsstrasse 14 D-30179 Hannover www.kling-freitag.de			CA 1215-6	
			CVL0007a	Rev. 1 Sheet 1/1

INFORMATION IN THIS DOCUMENT IS THE SOLE PROPERTY OF KLING & FREITAG GmbH.  
 REPRODUCTION OF ALL OR ANY PART OF THIS DOCUMENT WITHOUT WRITTEN PERMISSION FROM  
 KLING & FREITAG GmbH IS PROHIBITED.