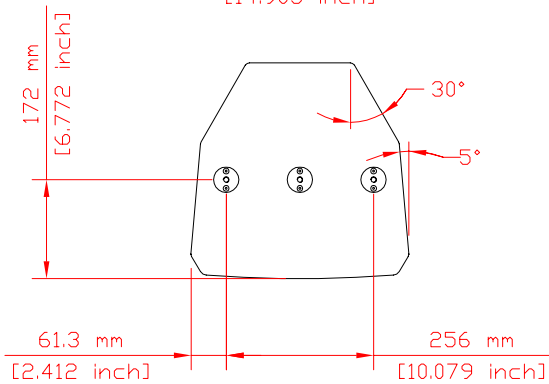
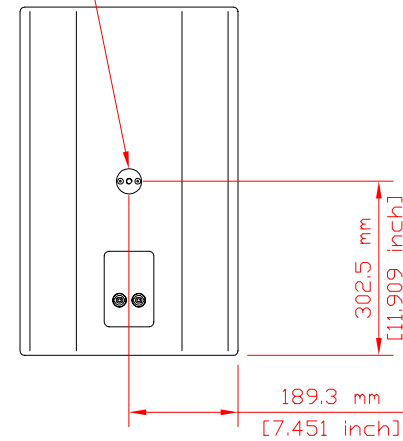
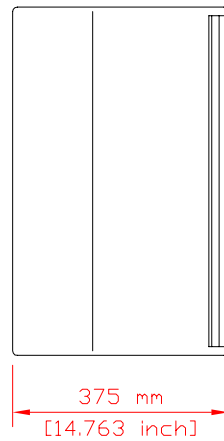
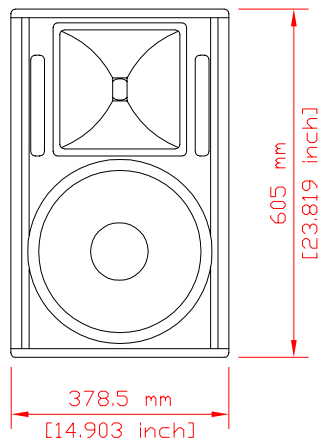


7 x Rigging Point M 10



| | | | | | |
|--|-------------|------------------------------|------------------------|--------------|--|
| Weight 31 kg / 68.4 lbs | Catalog No. | Filename KF_CA_1215_6.dwg | Date 15.05.2007 | NOT TO SCALE | |
| Kling & Freitag GmbH junktorsstrasse 14 D-30179 Hannover www.kling-freitag.de | | | CA 1215-6 Installation | | |
| cvL0055 | | | Rev. 1 | Sheet 1/1 | |

INFORMATION IN THIS DOCUMENT IS THE SOLE PROPERTY OF KLING & FREITAG GmbH.
REPRODUCTION OF ALL OR ANY PART OF THIS DOCUMENT WITHOUT WRITTEN PERMISSION FROM
KLING & FREITAG GmbH IS PROHIBITED.