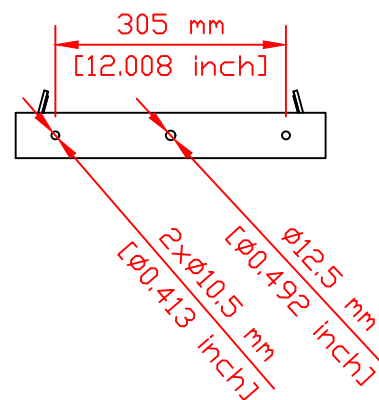


To mount to the speaker, use only the original countersunk screws M8 x 35 with TufLok-spot that you must remove from the speaker. The screws are equipped with a screw lock that can be reused about 4 times!



Weight 5,2 kg / 11.46 lbs	Catalog No.	Filename KF_SPECTRA_212i_Schwerkboigelag	Date 21.05..2020	NOT TO SCALE
Kling & Freitag GmbH junktorsstrasse 14 D-30179 Hannover www.kling-freitag.de			SPECTRA 212i CEILING BRACKET	
			Rev. 1	Sheet 1/1

INFORMATION IN THIS DOCUMENT IS THE SOLE PROPERTY OF KLING & FREITAG GmbH. REPRODUCTION OF ALL OR ANY PART OF THIS DOCUMENT WITHOUT WRITTEN PERMISSION FROM KLING & FREITAG GmbH IS PROHIBITED.