

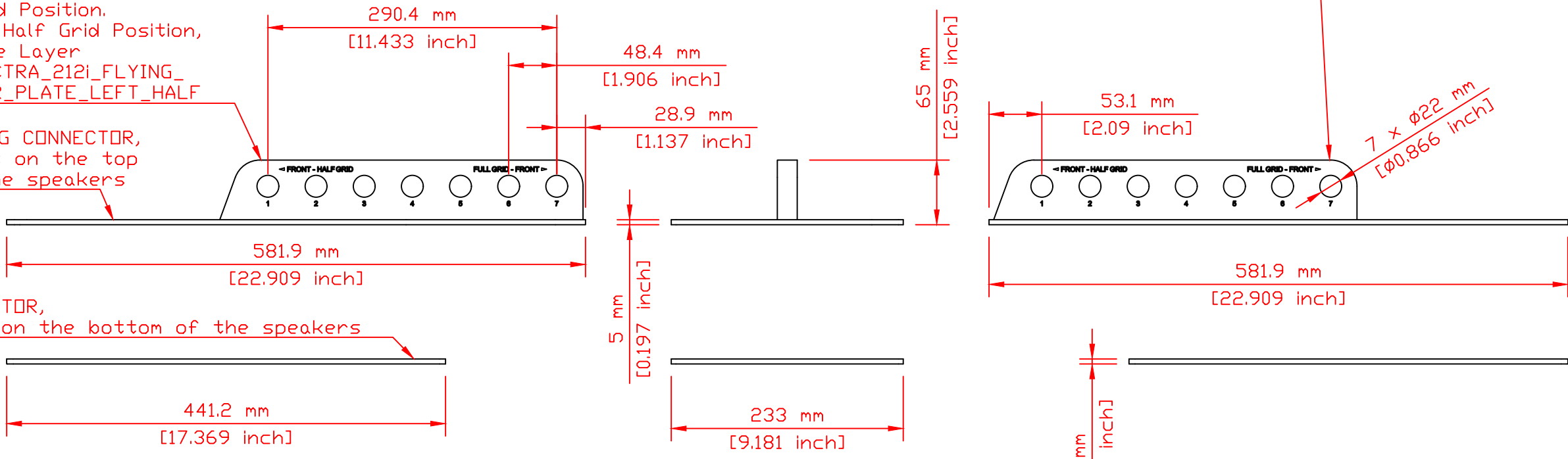
To mount to the speaker, use only the original countersunk screws M8 x 35 with TufLok-spot that you must remove from the speaker. The screws are equipped with a screw lock that can be reused about 4 times!

Flybar mounted in Half Grid Position.  
To see Full Grid Position, activate Layer KF\_SPECTRA\_212i\_FLYING\_CLUSTER\_PLATE\_RIGHT\_FULLL

Flybar mounted in Full Grid Position.  
To see Half Grid Position, activate Layer KF\_SPECTRA\_212i\_FLYING\_CLUSTER\_PLATE\_LEFT\_HALF

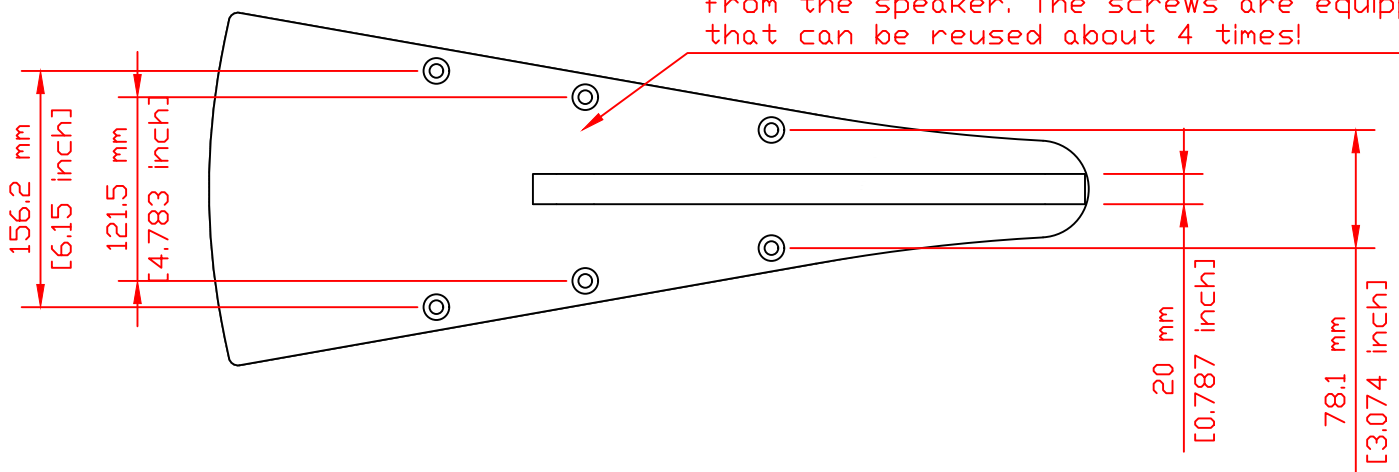
FLYING CONNECTOR, mount on the top of the speakers

CONNECTOR, mount on the bottom of the speakers



To mount to the speaker, use only the original countersunk screws M8 x 35 with TufLok-spot that you must remove from the speaker. The screws are equipped with a screw lock that can be reused about 4 times!

Weights:  
Cluster Plate Stack: 2,7 kg / 5.95 lbs  
Cluster Plate Set: 5,4 kg / 11.9 lbs  
Horizontal Cluster Flying Set: 8,7 kg / 19.18 lbs



Weight	Catalog No.	Filename	Date	NOT TO SCALE
Kling & Freitag GmbH junktorsstrasse 14 D-30179 Hannover www.kling-freitag.de		KF_SPECTRA_212i_Horizontal_Cluster_Flugset.dwg	25.05.2021	
<b>HORIZONTAL CLUSTER FLYING SET</b>				
			Rev. 1	Sheet 1/1

INFORMATION IN THIS DOCUMENT IS THE SOLE PROPERTY OF KLING & FREITAG GmbH. REPRODUCTION OF ALL OR ANY PART OF THIS DOCUMENT WITHOUT WRITTEN PERMISSION FROM KLING & FREITAG GmbH IS PROHIBITED.