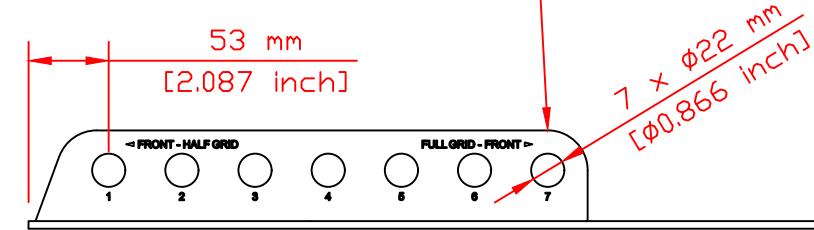
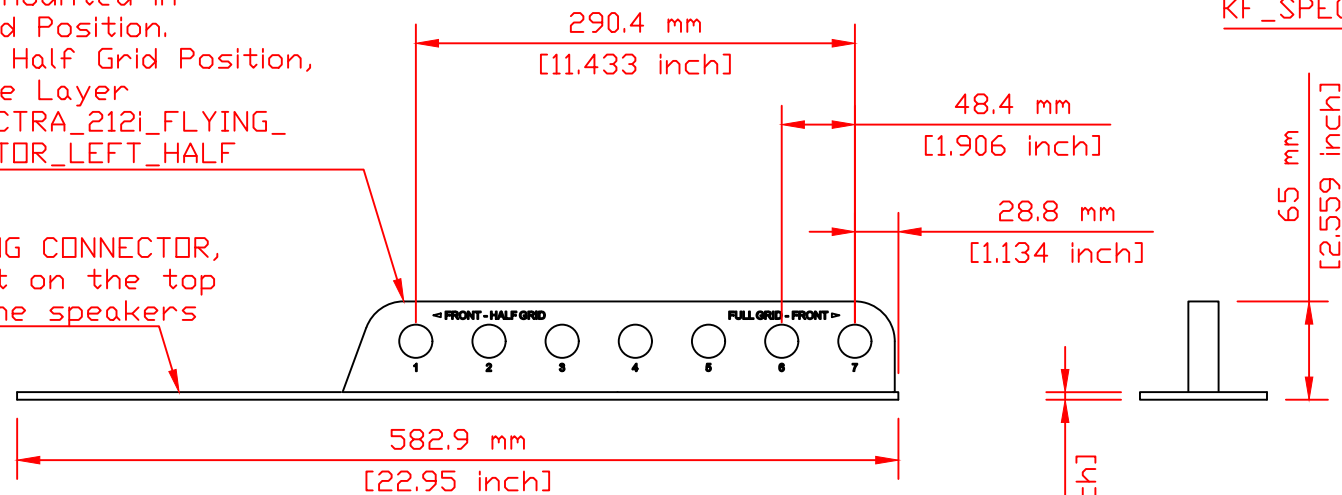


To mount to the speaker, use only the original countersunk screws M8 x 35 with TufLok-spot that you must remove from the speaker. The screws are equipped with a screw lock that can be reused about 4 times!

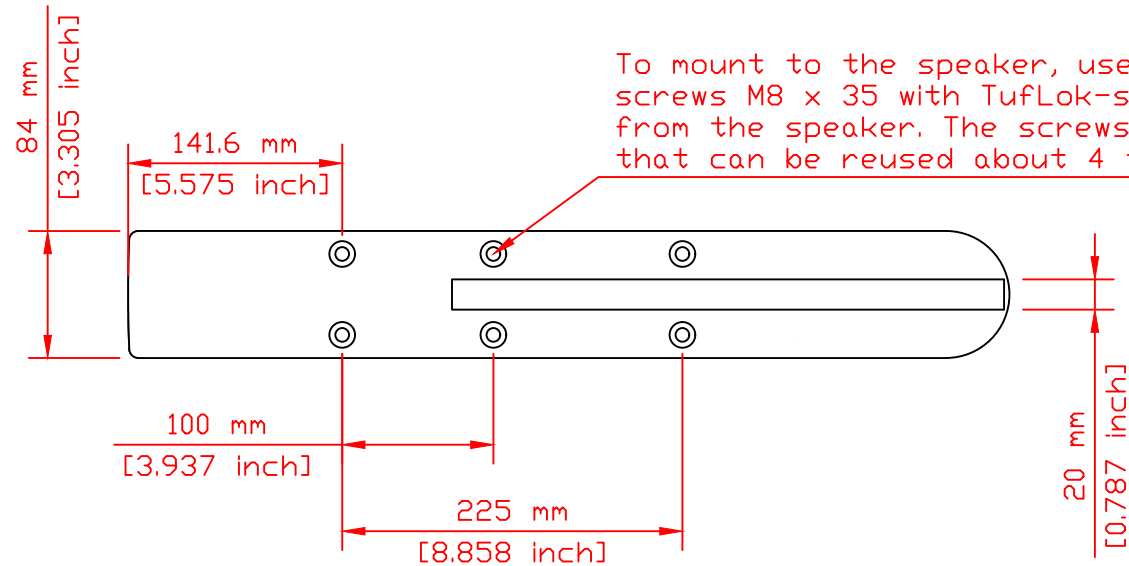
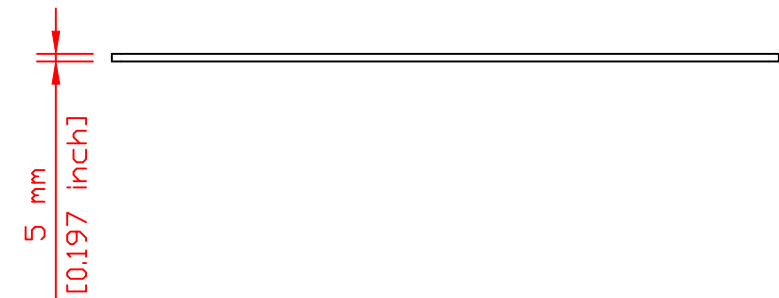
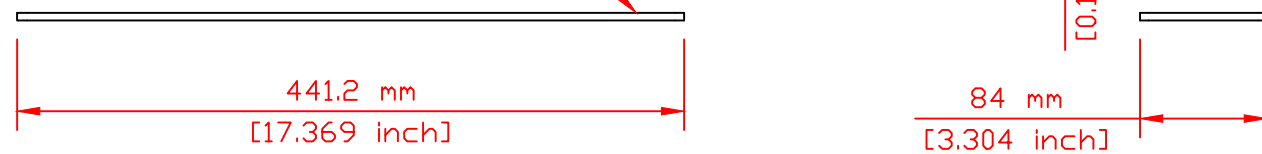
Flybar mounted in Full Grid Position. To see Half Grid Position, activate Layer KF_SPECTRA_212i_FLYING_CONNECTOR_LEFT_HALF

Flybar mounted in Half Grid Position. To see Full Grid Position, activate Layer KF_SPECTRA_212i_FLYING_CONNECTOR_RIGHT_FULL

FLYING CONNECTOR, mount on the top of the speakers



CONNECTOR, mount on the bottom of the speakers



To mount to the speaker, use only the original countersunk screws M8 x 35 with TufLok-spot that you must remove from the speaker. The screws are equipped with a screw lock that can be reused about 4 times!

- Weights:
 Connector: 1,4 kg / 6.17 lbs
 Connector Set: 2,8 kg / 6.17 lbs
 Connector Flying Set: 6,1 kg / 13.45 lbs

Weight	Catalog No.	Filename	Date	NOT TO SCALE
		KF_SPECTRA_212i_Verbinden_Flug.dwg	25.05.2021	
Kling & Freitag GmbH junktorsstrasse 14 D-30179 Hannover www.kling-freitag.de		SPECTRA 212i CONNECTOR (FLYING) SET		
		Rev. 1	Sheet 1/1	

INFORMATION IN THIS DOCUMENT IS THE SOLE PROPERTY OF KLING & FREITAG GmbH. REPRODUCTION OF ALL OR ANY PART OF THIS DOCUMENT WITHOUT WRITTEN PERMISSION FROM KLING & FREITAG GmbH IS PROHIBITED.