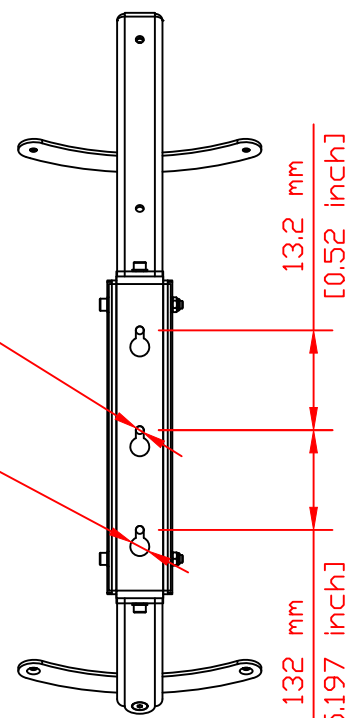


51 mm
[2.008 inch]

To mount to the speaker, use only the original countersunk screws M8 x 35 with TufLok-spot that you must remove from the speaker. The screws are equipped with a screw lock that can be reused about 4 times!

3x ϕ 10.5 mm
[ϕ 0.413 inch]

3x ϕ 25 mm
[ϕ 0.984 inch]



13.2 mm
[0.52 inch]

132 mm
[5.197 inch]

Weight 15,1 kg / 33,29 lbs	Catalog No.	Filename KF_SPECTRA_212i_Wandhalter_Set.dwg	Date 25.05.2021	NOT TO SCALE
Kling & Freitag GmbH junktorsstrasse 14 D-30179 Hannover www.kling-freitag.de		SPECTRA 212i WALL BRACKET SET		
			Rev. 1	Sheet 1/1

INFORMATION IN THIS DOCUMENT IS THE SOLE PROPERTY OF KLING & FREITAG GmbH. REPRODUCTION OF ALL OR ANY PART OF THIS DOCUMENT WITHOUT WRITTEN PERMISSION FROM KLING & FREITAG GmbH IS PROHIBITED.