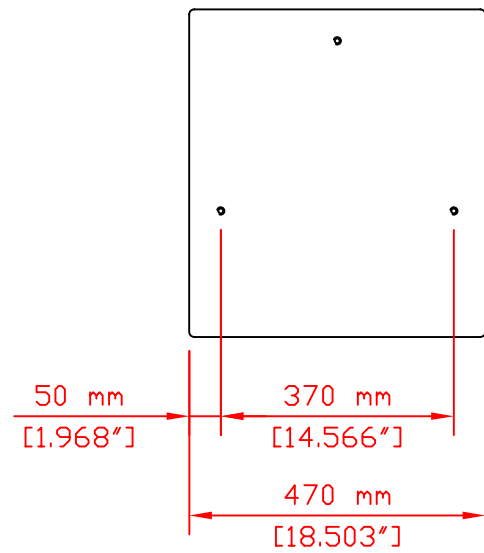


Rigging Points
Thread Inserts M12



Weight 24.0 kg / 52.9 lbs	Catalog No.	Filename KF_SW_112.dxf	Date 24.1012003	NOT TO SCALE
Kling & Freitag GmbH Junkersstrasse 14 D-30179 Hannover www.kling-freitag.de		SWi 112		
CVL0021c			Rev. 1	Sheet 1/1

INFORMATION IN THIS DOCUMENT IS THE SOLE PROPERTY OF KLING & FREITAG GmbH.
REPRODUCTION OF ALL OR ANY PART OF THIS DOCUMENT WITHOUT WRITTEN PERMISSION FROM
KLING & FREITAG GmbH IS PROHIBITED.