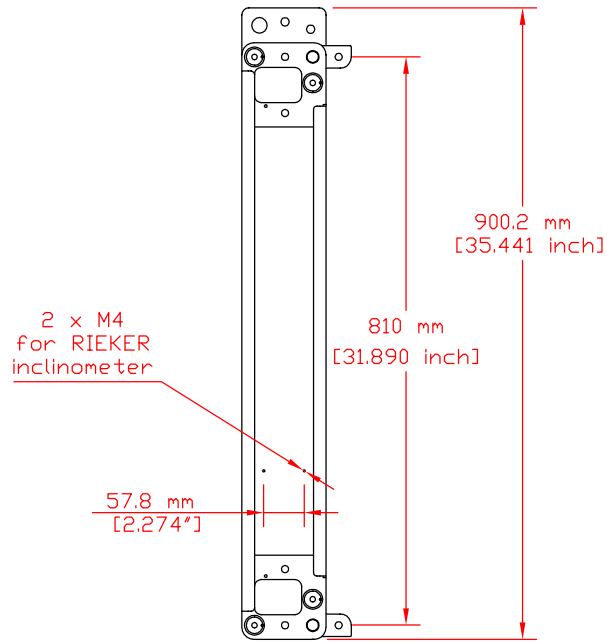


Fixing plate for
SSE inclinometer
6 x \varnothing 5 mm
[\varnothing 0.197 inch]



2 x M4
for RIEKER
inclinometer

Weight 46.0 kg / 101.412 lbs	Catalog No.	Filename KF_SEQ_10_FL_FR.pdf	Date 12.05.2009	NOT TO SCALE	
Kling & Freitag GmbH junktorsstrasse 14 D-30179 Hannover www.kling-freitag.de			Flying Frame SEQUENZA 10		
			Rev. 1	Sheet 1/1	
INFORMATION IN THIS DOCUMENT IS THE SOLE PROPERTY OF KLING & FREITAG GmbH. REPRODUCTION OF ALL OR ANY PART OF THIS DOCUMENT WITHOUT WRITTEN PERMISSION FROM KLING & FREITAG GmbH IS PROHIBITED.					