

1 2 3 4 5 6 7 8

A A

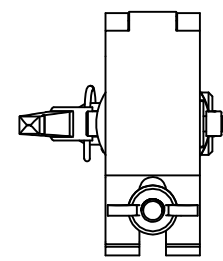
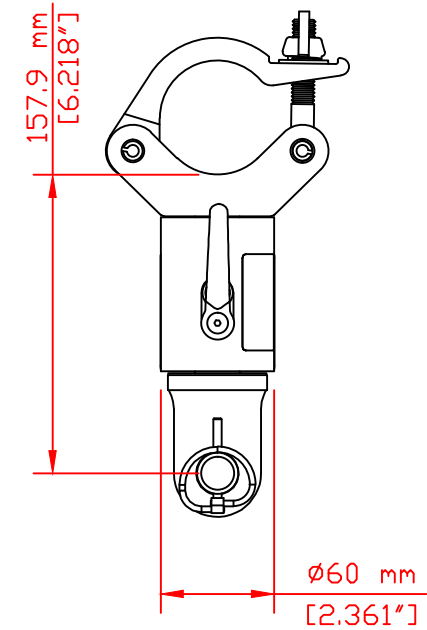
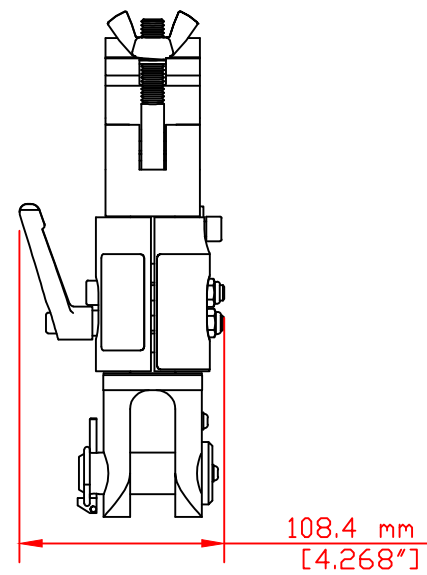
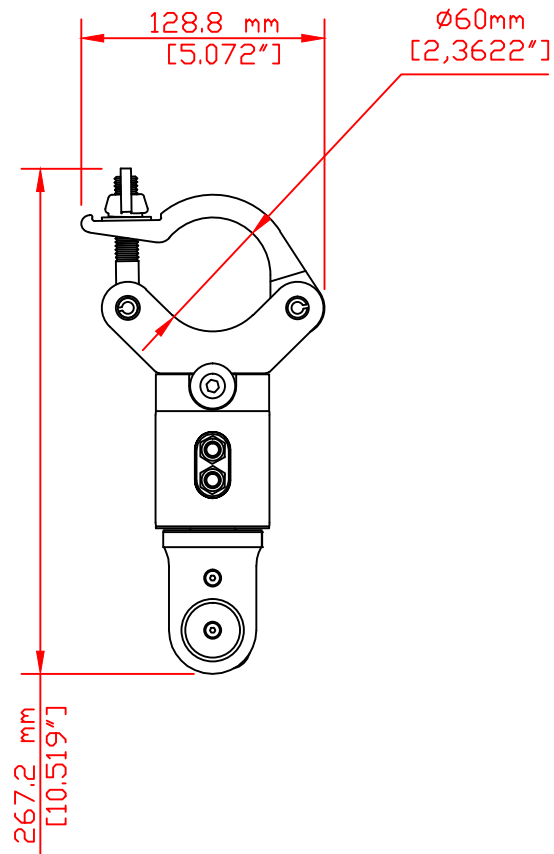
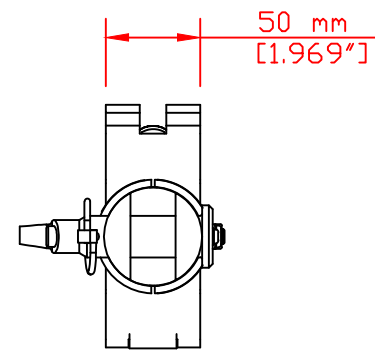
B B

C C

D D

E E

F F



Weight 3.1/ 6.83 lbs	Catalog No.	Filename KF_RotationClamp_450_D60.dwg	Date 08.12.2016	NOT TO SCALE
Kling & Freitag GmbH junktorsstrasse 14 D-30179 Hannover www.kling-freitag.de		K&F Rotation Clamp 450, with 60 mm half coupler (HC828)		
			Rev. 1	Sheet 1/1

INFORMATION IN THIS DOCUMENT IS THE SOLE PROPERTY OF KLING & FREITAG GmbH.
REPRODUCTION OF ALL OR ANY PART OF THIS DOCUMENT WITHOUT WRITTEN PERMISSION FROM
KLING & FREITAG GmbH IS PROHIBITED.

1 2 3 4 5 6 7 8